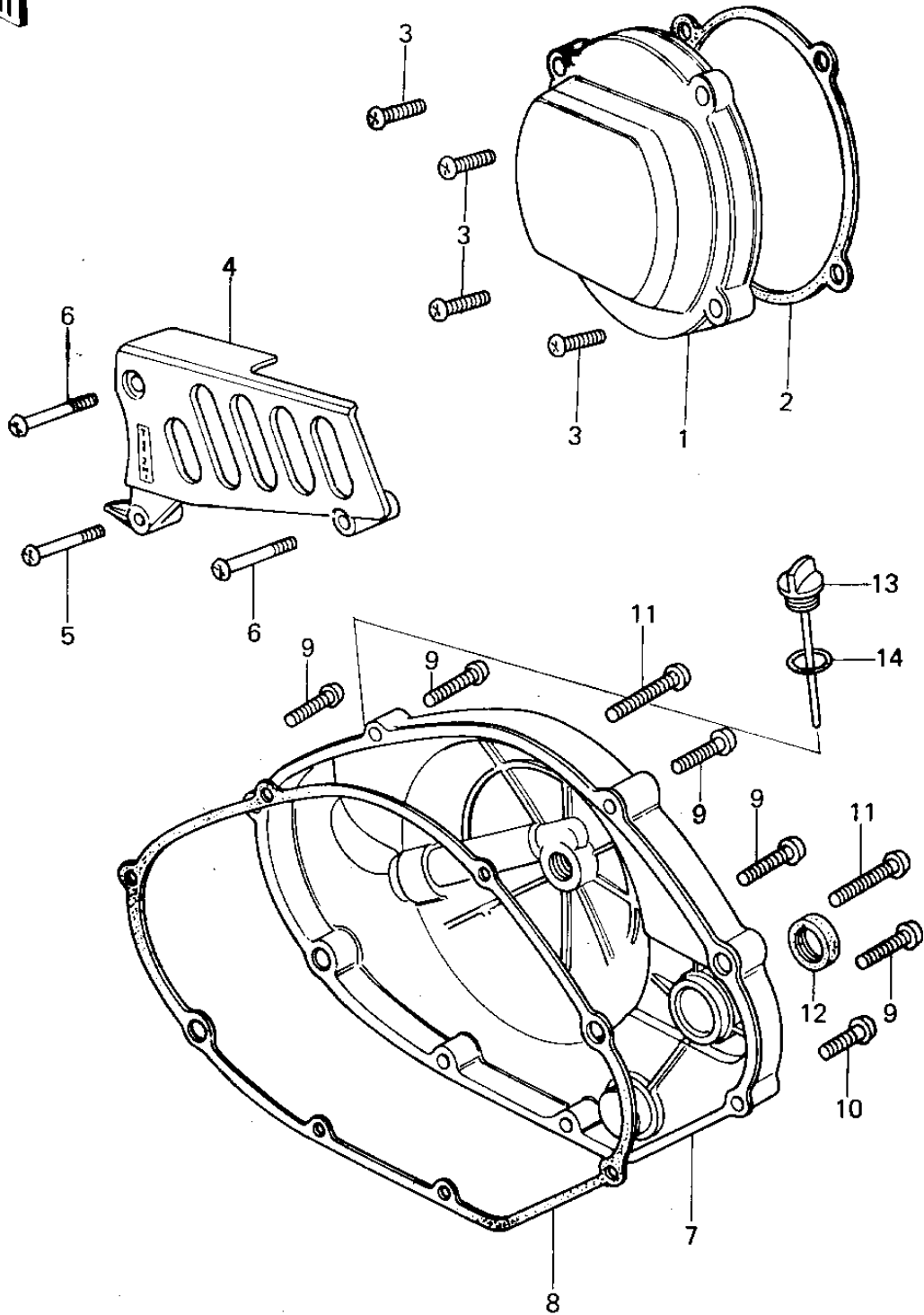


1979 KX250-A5 PARTS DIAGRAM

ENGINE COVERS (78-79)



1979 KX250-A5 PARTS LIST

ENGINE COVERS (78-79)

ITEM NAME	PART NUMBER	QUANTITY
COVER,L.H ENGINE,BLK (Ref # 1)	14031-075-21	
GASKET,L.H ENG COVER (Ref # 2)	14045-018	
SCREW PAN HEAD 6X25 (Ref # 3)	220B0625	
COVER,FRONT CHAIN (Ref # 4)	14026-1012-21	
SCREW PAN HEAD 6X35 (Ref # 5)	220B0635	
SCREW PAN HEAD 6X40 (Ref # 6)	220B0640	
COVER,R.H ENG,F.BLACK (Ref # 7)	14032-1009-21	
GASKET,R.H ENG COVER (Ref # 8)	14046-030	
SCREW PAN HEAD 6X35 (Ref # 9)	220B0635	
SCREW PAN HEAD 6X30 (Ref # 10)	220B0630	
SCREW PAN HEAD 6X45 (Ref # 11)	220B0645	
OIL SEAL SB20285 (Ref # 12)	92049-012	
PLUG,OI FILLER (Ref # 13)	16115-024	
"O" RING,20MM (Ref # 14)	670B2020	