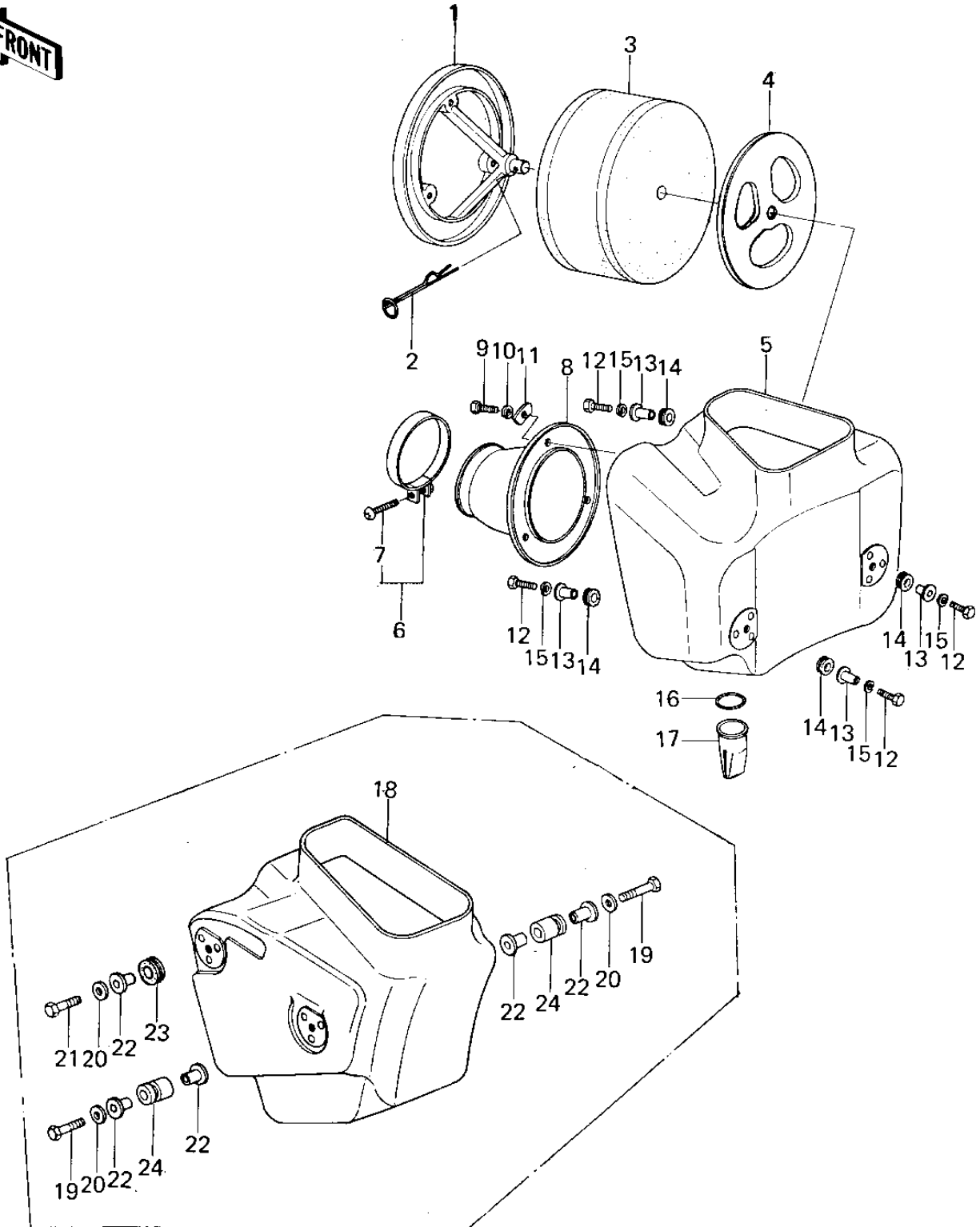


1978 KX250-A4 PARTS DIAGRAM

AIR CLEANER (78-79)



1978 KX250-A4 PARTS LIST

AIR CLEANER (78-79)

| ITEM NAME | PART NUMBER | QUANTITY |
|-------------------------------|-------------|----------|
| BODY,AIR CLEANER (Ref # 1) | 11011-1007 | 1 |
| COTTER,AIR CLEANER (Ref # 2) | 92041-1001 | 1 |
| ELEMENT,AIR CLNR (Ref # 3) | 11013-1005 | 1 |
| CAP,AIR CLEANER (Ref # 4) | 11012-1013 | 1 |
| BODY,AIR CLEANER (Ref # 5) | 11011-1008 | 1 |
| CLAMP-AIR CLEANER (Ref # 6) | 92037-068 | 1 |
| SCREW PAN HEAD 6X35 (Ref # 7) | 220B0635 | 1 |
| DUCT,AIR CLEANER (Ref # 8) | 14073-1005 | 1 |
| BOLT-UPSET (Ref # 9) | 112G0618 | 3 |
| WASHER SPRING 6MM (Ref # 10) | 461F0600 | 3 |
| WASHER,PLAIN (Ref # 11) | 92022-1018 | 3 |
| BOLT-UPSET,6X20 (Ref # 12) | 112G0620 | 4 |
| COLLAR (Ref # 13) | 92027-194 | 4 |
| DAMPER RUBBER (Ref # 14) | 92075-076 | 4 |
| WASHER SPRING 6MM (Ref # 15) | 461F0600 | 4 |
| "O" RING,20MM (Ref # 16) | 670B2020 | 1 |
| BOOT (Ref # 17) | 49006-1012 | 1 |
| BODY,AIR CLEANER (Ref # 18) | 11011-1030 | 1 |
| BOLT 6X35 (Ref # 19) | 110R0635 | 2 |
| WASHER SPRING 6MM (Ref # 20) | 461F0600 | 3 |
| BOLT-UPSET,6X20 (Ref # 21) | 112G0620 | 1 |
| COLLAR (Ref # 22) | 92027-194 | 5 |
| DAMPER RUBBER (Ref # 23) | 92075-076 | 1 |
| DAMPER RUBBER (Ref # 24) | 92075-1154 | 2 |