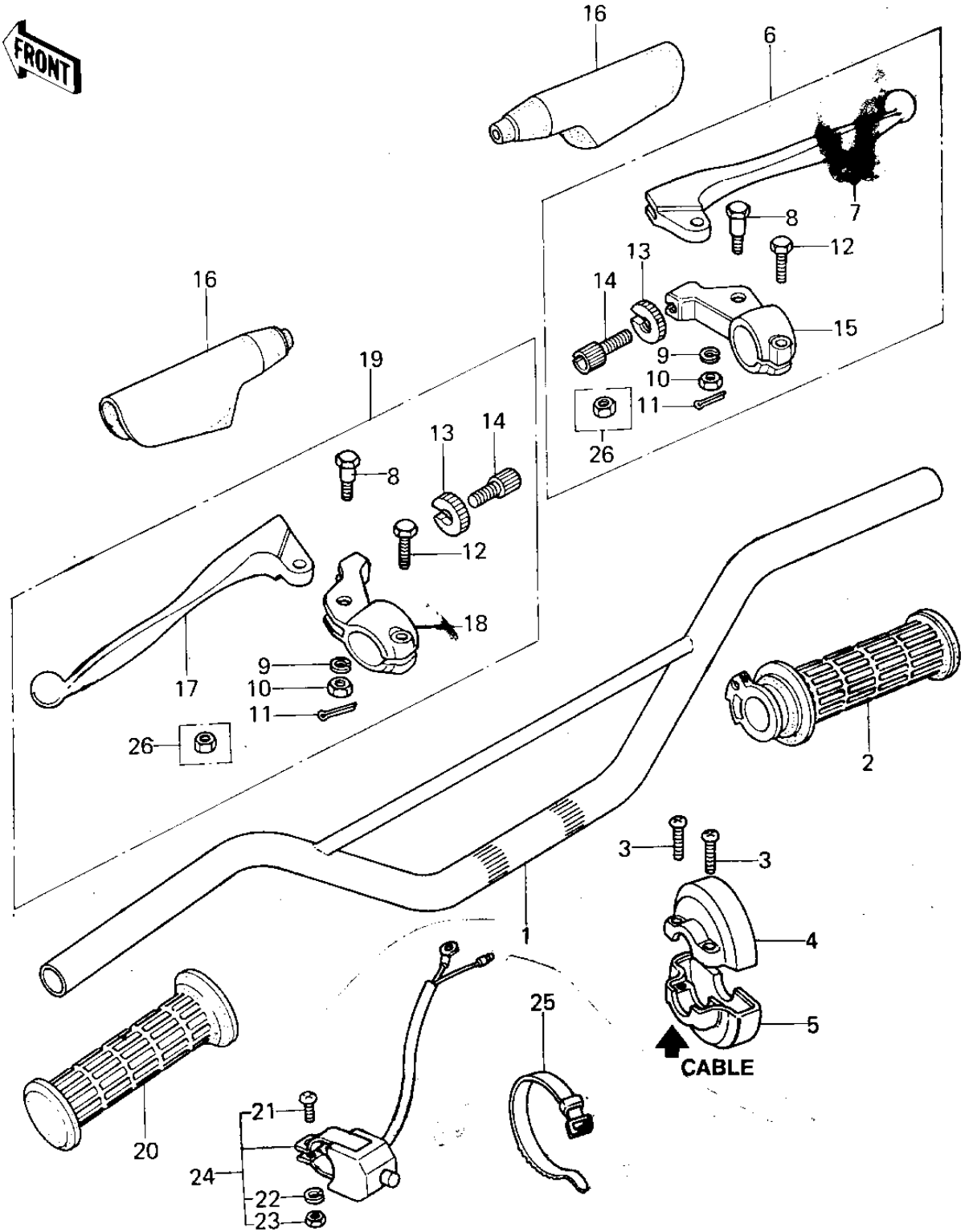


1979 KX250-A5 PARTS DIAGRAM

HANDLEBAR (78-79)



1979 KX250-A5 PARTS LIST

HANDLEBAR (78-79)

ITEM NAME	PART NUMBER	QUANTITY
HANDLEBAR (Ref # 1)	46003-1020	
HANDLEBAR (Ref # 1)	46003-1034	
GRIP ASSY,THROTTLE (Ref # 2)	46019-1002	
GRIP ASSY,THROTTLE (Ref # 2)	46019-1009	
SCREW PAN HEAD 5X20 (Ref # 3)	220B0520	
CASE,R.H,GRIP,UPPER (Ref # 4)	32099-1014	
HOUSING-ASSY-CONTROL (Ref # 5)	46091-5006	
LEVER ASSY,FRONT BRAK (Ref # 6)	46076-1003	
FRONT BRAKE LEVER (Ref # 7)	46058-018	
BOLT,HEX HEAD,6MM (Ref # 8)	92001-140	
WASHER SPRING 6MM (Ref # 9)	461F0600	
NUT CASTLE (Ref # 10)	320B0600	
PIN COTTER 1.6X15 (Ref # 11)	550D1615	
BOLT-UPSET (Ref # 12)	112N0620	
NUT,CABLE ADJUST LOCK (Ref # 13)	46056-006	
SCREW,CABLE ADJUST (Ref # 14)	46055-009	
HOLDER,F.BRAKE LEVER (Ref # 15)	46060-010-21	
DUST COVER (Ref # 16)	46071-003	
LEVER, CLUTCH (Ref # 17)	46092-021	
HOLDER,CLUTCH LEVER (Ref # 18)	46094-014-21	
LEVER ASSY,CLUTCH (Ref # 19)	46076-1004	
GRIP ASSY,L.H GRIP (Ref # 20)	46075-031	
RUBBER,L.H.GRIP,L.GRE (Ref # 20)	46075-1006	
SCREW PAN HEAD 3X14 (Ref # 21)	220E0314A	
WASHER SPRING 3MM (Ref # 22)	461F0300	
NUT-HEX (Ref # 23)	311B0300	
SWITCH,ASSY,ENG STOP (Ref # 24)	27010-1018	
BAND,SHORT (Ref # 25)	92072-030	
NUT (Ref # 26)	92019-008	