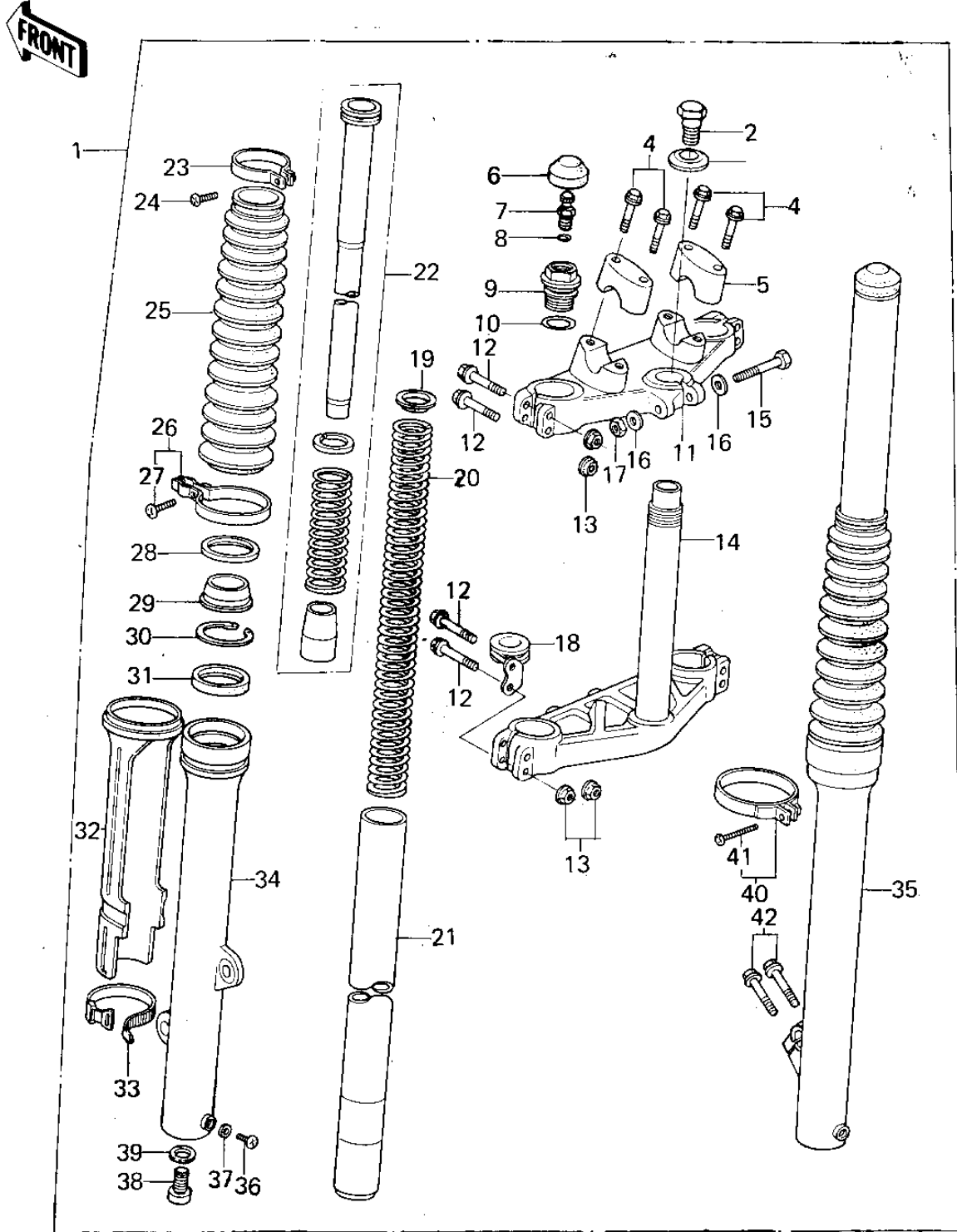


1979 KX250-A5 PARTS DIAGRAM

FRONT FORK (KX250-A5) (78-79)



1979 KX250-A5 PARTS LIST

FRONT FORK (KX250-A5) (78-79)

| ITEM NAME | PART NUMBER | QUANTITY |
|----------------------------------|-------------|----------|
| FORK-FRONT (Ref # 1) | 44001-1080 | |
| BOLT,FORK TOP (Ref # 2) | 44041-065 | |
| WASHER (Ref # 3) | 44043-052 | |
| BOLT,HEX HEAD,8X35 (Ref # 4) | 92001-1059 | |
| HOLDER,HANDLE BAR (Ref # 5) | 46012-1003 | |
| CAP,RUBBER,FORK TOP (Ref # 6) | 44029-1009 | |
| VALVE ASSY,AIR (Ref # 7) | 16126-1003 | |
| "0" RING,AIR VALVE (Ref # 8) | 92055-1018 | |
| CAP,FORK TOP (Ref # 9) | 44029-1008 | |
| "0" RING,FORK TOP CAP (Ref # 10) | 92055-1050 | |
| HEAD,STEERING STEM (Ref # 11) | 44039-1022 | |
| BOLT,HEX HEAD,8X53 (Ref # 12) | 92001-1060 | |
| NUT,8M/M (Ref # 13) | 44007-1002 | |
| STEM,STEERING (Ref # 14) | 44037-1026 | |
| BOLT,HEX HEAD,8X57 (Ref # 15) | 92001-1141 | |
| WASHER PLAIN 8MM (Ref # 16) | 410B0800 | |
| NUT,LOCK,8MM (Ref # 17) | 92015-1124 | |
| CLAMP,CABLE (Ref # 18) | 92072-1027 | |
| GUIDE,FORK SPRING (Ref # 19) | 44028-1003 | |
| SPRING,FORK INNER (Ref # 20) | 44026-1027 | |
| TUBE,FORK INNER (Ref # 21) | 44013-1018 | |
| CYLINDER-FORK (Ref # 22) | 44022-1019 | |
| BAND,BOOTS (Ref # 23) | 92072-1008 | |
| SCREW-PAN-CROS (Ref # 24) | 220B0414 | |
| BOOT,FORK,L.GREEN (Ref # 25) | 49006-1027 | |
| CLAMP,BOOT,L.H (Ref # 26) | 92072-1026 | |
| SCREW PAN HEAD 6X20 (Ref # 27) | 220B0620 | |
| CASE,DUST SHIELD (Ref # 28) | 32099-1010 | |
| DUST SHIELD,FORK OUT (Ref # 29) | 92093-1022 | |

1979 KX250-A5 PARTS LIST

FRONT FORK (KX250-A5) (78-79)

| ITEM NAME | PART NUMBER | QUANTITY |
|----------------------------------|-------------|----------|
| SNAP RING,FORK OUT TU (Ref # 30) | 92033-1035 | |
| OIL SEAL,FORK OUT TUB (Ref # 31) | 92049-1042 | |
| GUARD,FORK (Ref # 32) | 55020-1022 | |
| BAND,BOOTS (Ref # 33) | 92072-1009 | |
| TUBE,LH,FORK OUTER (Ref # 34) | 44005-1021 | |
| TUBE,RH,FORK OUTER (Ref # 35) | 44006-1021 | |
| SCREW PAN HEAD 4X8 (Ref # 36) | 220B0408 | |
| GASKET FORK DRAIN PLG (Ref # 37) | 44045-002 | |
| BOLT,FORK CYLINDER (Ref # 38) | 92001-1186 | |
| GASKET,FORK CYLINDER (Ref # 39) | 11009-1127 | |
| CLAMP,BOOT,R.H (Ref # 40) | 92072-1025 | |
| SCREW PAN HEAD 4X25 (Ref # 41) | 220B0425 | |
| BOLT,HEX HEAD,8X25 (Ref # 42) | 92001-1058 | |