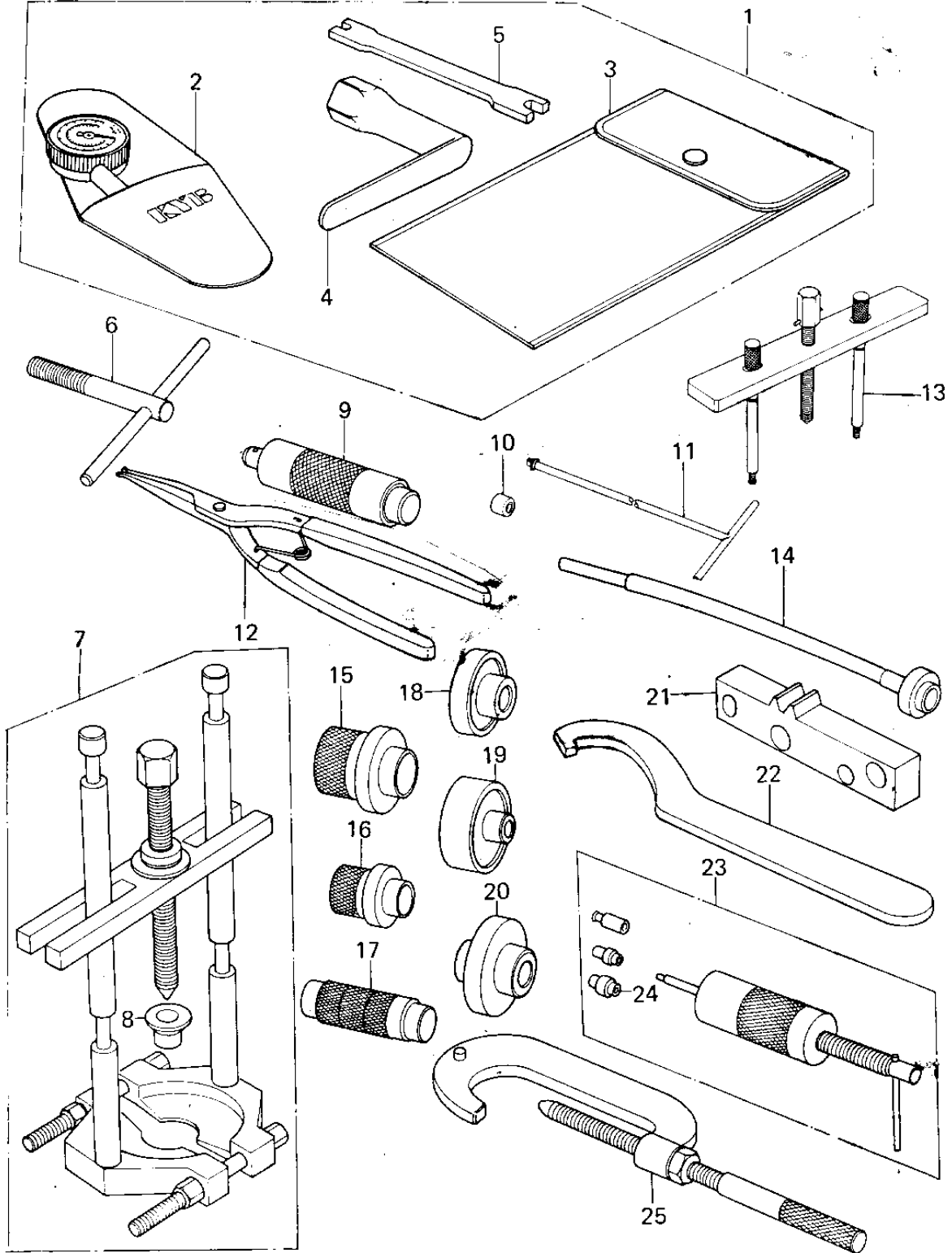


1979 KX250-A5 PARTS DIAGRAM

OWNER TOOLS/SPECIAL SERVICE TOOLS (78-79)



1979 KX250-A5 PARTS LIST

OWNER TOOLS/SPECIAL SERVICE TOOLS (78-79)

ITEM NAME	PART NUMBER	QUANTITY
TOOL KIT (Ref # 1)	56007-1010	
GAUGE,AIR (Ref # 2)	52005-1003	
BAG,TOOL (Ref # 3)	56008-008	
WRENCH,SPARK PLUG (Ref # 4)	92110-019	
WRENCH SPOKE (Ref # 5)	92110-1016	
57001-1216 (Canada) (Ref # 6)	57001-116	
PULLER,STEM BEARING (Ref # 7)	57001-135	
ADAPTER,STEM BEARING (Ref # 8)	57001-136	
*** N.L.A.*** (Canada) (Ref # 9)	57001-139	
ADAPTER-FRK CYL HLDR (Ref # 10)	57001-176	
HANDLE,FORK CLY HOLDR (Ref # 11)	57001-183	
PLIERS,CIRCLIP,OUTSID (Ref # 12)	57001-144	
57001-1098 (Canada) (Ref # 13)	57001-153	
*** N.L.A.*** (Canada) (Ref # 14)	57001-203	
GUIDE,SHIFT OIL SEAL (Ref # 15)	57001-264	
*** N.L.A.*** (Canada) (Ref # 16)	57001-265	
57001-1129 (Canada) (Ref # 17)	57001-287	
57001-1129 (Canada) (Ref # 18)	57001-289	
57001-1129 (Canada) (Ref # 19)	57001-290	
*** N.L.A.*** (Canada) (Ref # 20)	57001-296	
57001-1243 (Canada) (Ref # 21)	57001-302	
57001-1100 (Canada) (Ref # 22)	57001-321	
PULLER-PISTON PIN (Ref # 23)	57001-910	
ADAPTER C,PIN PULLER (Ref # 24)	57001-914	
57001-1243 (Canada) (Ref # 25)	57001-307	
57001-1243 (Canada) (Ref # 25)	57001-307	