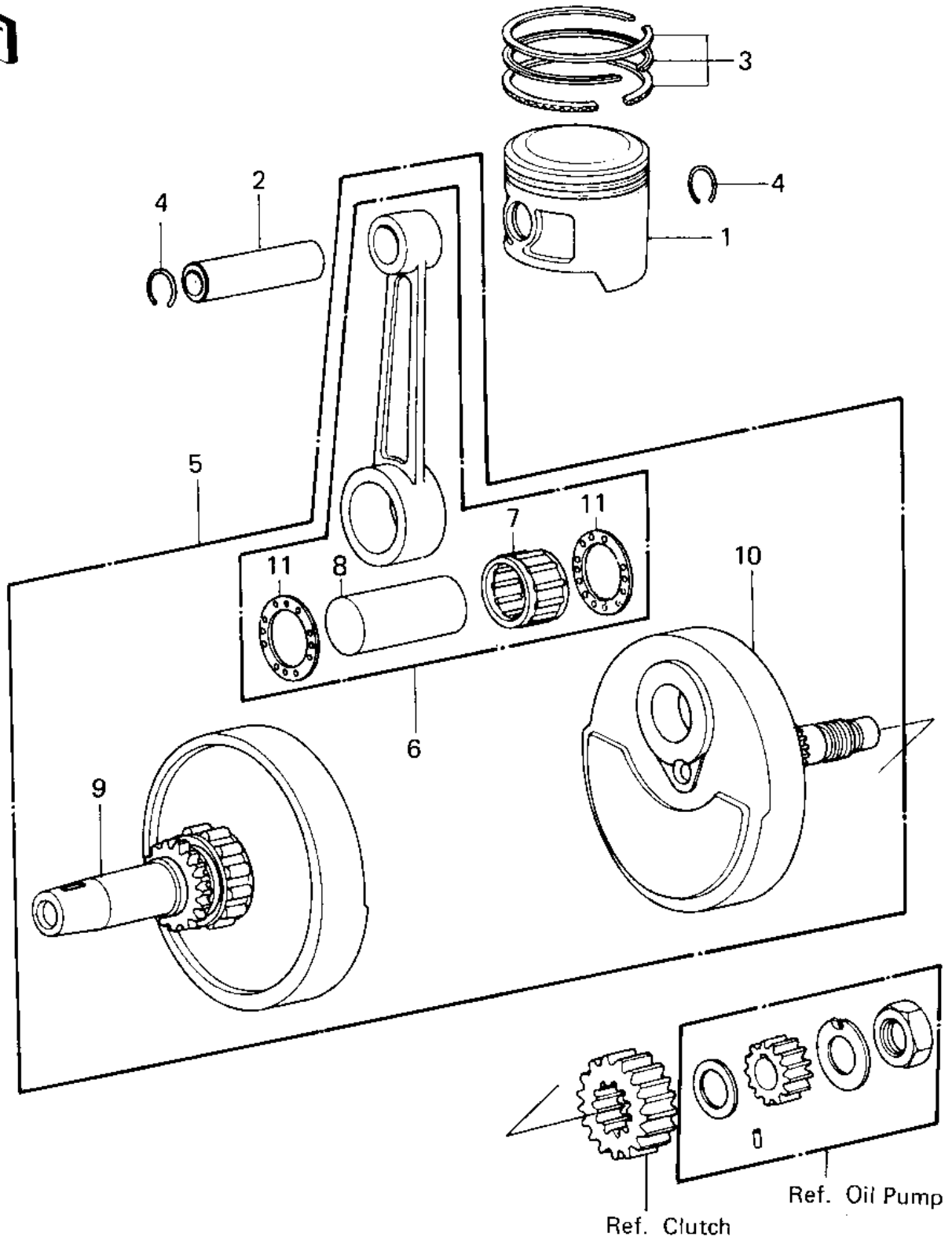


1980 KZ250 PARTS DIAGRAM

CRANKSHAFT/PISTON ('80 D1)



1980 KZ250 PARTS LIST

CRANKSHAFT/PISTON ('80 D1)

ITEM NAME	PART NUMBER	QUANTITY
PISTON,S.T.D (Ref # 1)	13001-1037	1
PISTON,0.020 O/S (Ref # 1)	13029-1003	(1
PISTON,0.040 O/S (Ref # 1)	13027-1005	(1
PIN-PISTON (Ref # 2)	13002-1013	1
RING SET,STD (Ref # 3)	13008-5012	1
RING SET,0.020"O/S (Ref # 3)	13025-5007	(1
RING SET,0.040"O/S (Ref # 3)	13024-5008	(1
CIRCLIP,PISTON PIN (Ref # 4)	92036-021	2
CRANK & CONROD ASSY (Ref # 5)	13031-1029	1
CONNECTING ROD SET (Ref # 6)	13044-5005	1
BRG,NEEDLE PK293921.4 (Ref # 7)	13034-031	1
PIN,CRANK (Ref # 8)	13035-035	1
CRANKSHAFT,L.H (Ref # 9)	13037-5003	1
CRANKSHAFT,R.H (Ref # 10)	13037-1064	1
SPACER,CONNECTING ROD (Ref # 11)	92026-087	2