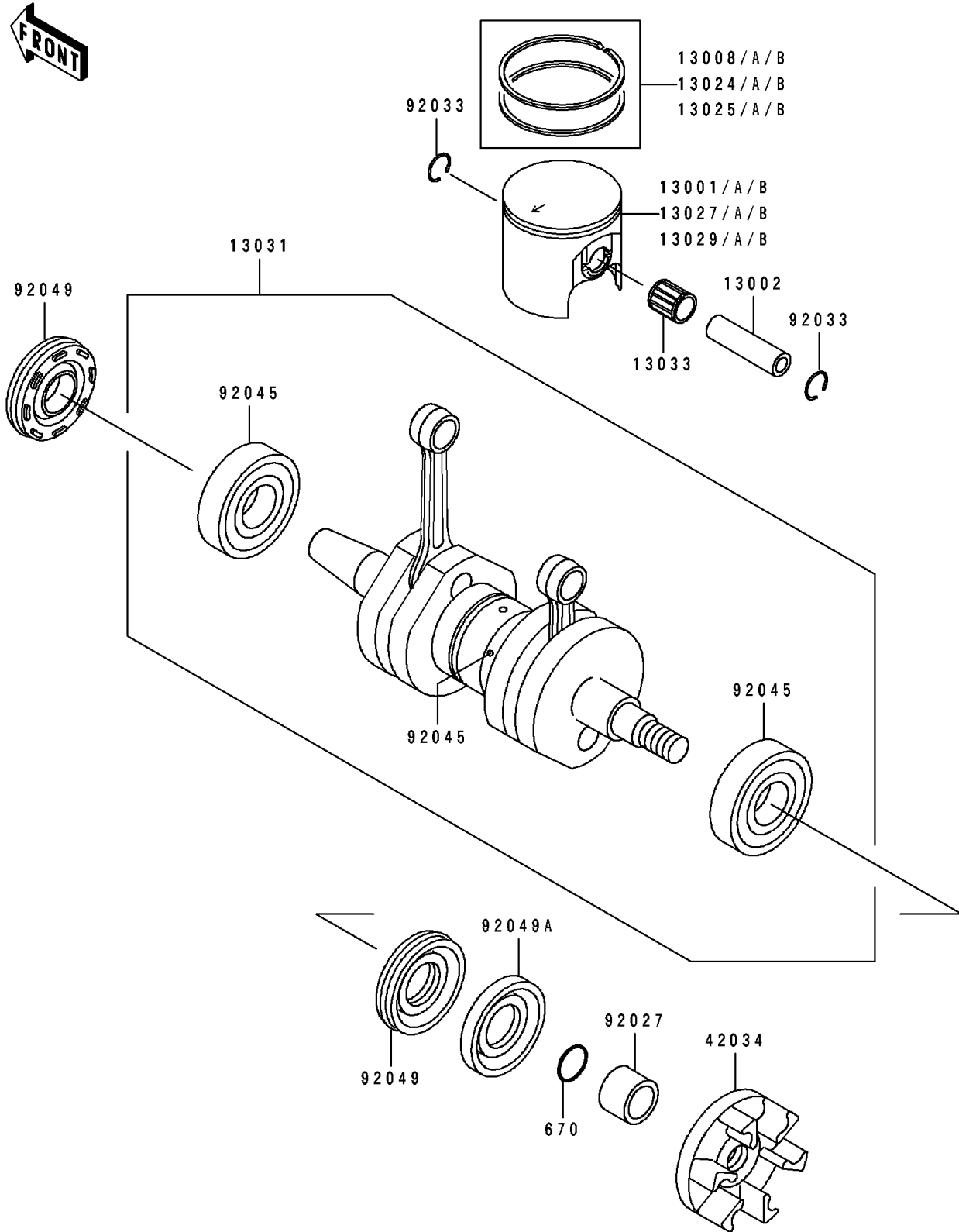


1993 750 SX PARTS DIAGRAM

Crankshaft/Piston(s)(JS750-A1/A2)

E 1320



1993 750 SX PARTS LIST

Crankshaft/Piston(s)(JS750-A1/A2)

ITEM NAME	PART NUMBER	QUANTITY
PISTON-ENGINE,STD (Ref # 13001B)	13001-3713	2
PIN-PISTON (Ref # 13002)	13002-3702	2
RING-SET-PISTON (Ref # 13008B)	13008-3708	2
RING-SET-PISTON LL,O/S 1.00 (Ref # 13024B)	13024-3706	AR
RING-SET-PISTON L,O/S 0.50 (Ref # 13025B)	13025-3706	AR
PISTON-ENGINE LL,O/S 1.00 (Ref # 13027B)	13027-3708	AR
PISTON-ENGINE L,O/S 0.50 (Ref # 13029B)	13029-3708	AR
CRANKSHAFT-COMP (Ref # 13031)	13031-3716	1
BEARING-SMALL END (Ref # 13033)	13033-3702	2
COUPLING (Ref # 42034)	42034-3705	1
COLLAR (Ref # 92027)	92027-3713	1
RING-SNAP (Ref # 92033)	92033-1207	4
BEARING-BALL (Ref # 92045)	92045-3714	3
SEAL-OIL,FWJ15307210 (Ref # 92049)	92049-3705	2
SEAL-OIL,S30726 (Ref # 92049A)	92049-3706	1
O RING,14MM (Ref # 670)	670B2014	1