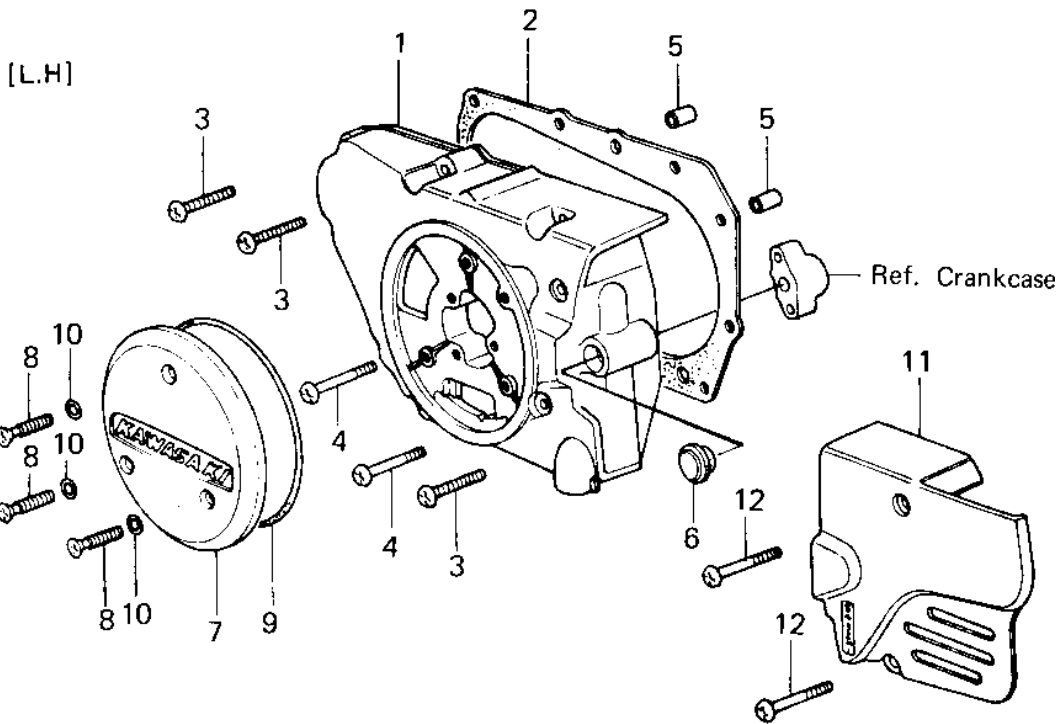
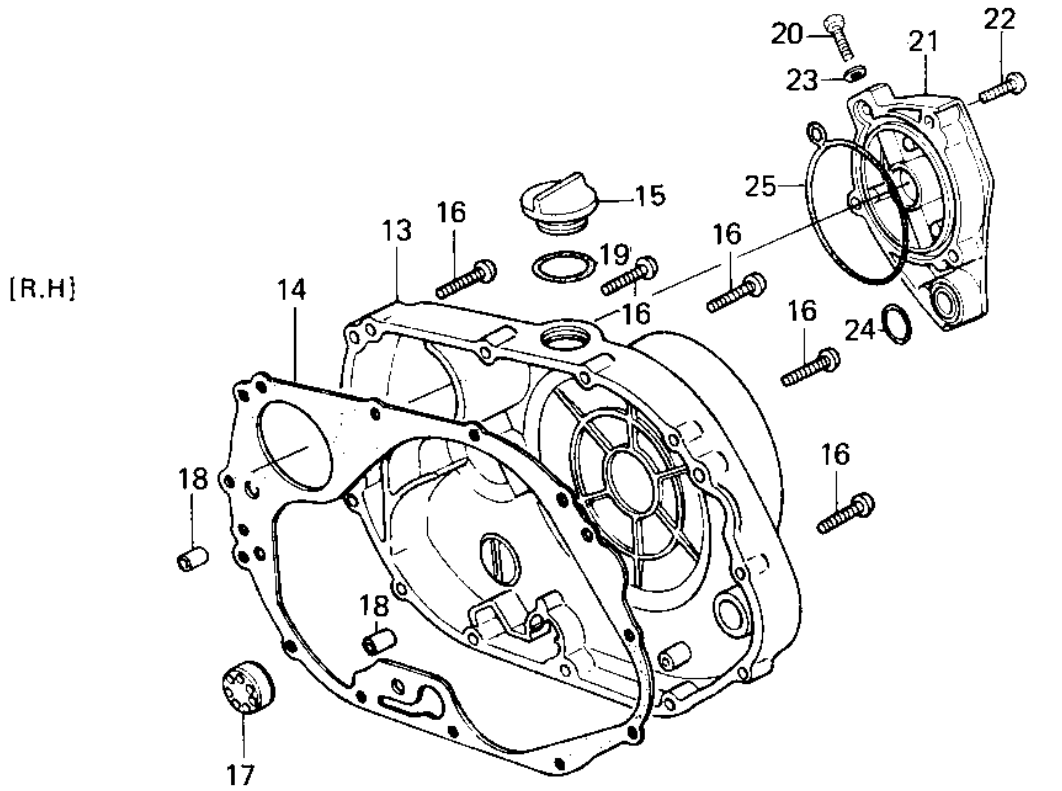


1980 KZ250 PARTS DIAGRAM

ENGINE COVERS ('80 D1)



1980 KZ250 PARTS LIST

ENGINE COVERS ('80 D1)

ITEM NAME	PART NUMBER	QUANTITY
COVER,L.H ENGINE (Ref # 1)	14031-097-2H	1
GASKET,L.H ENGINE COV (Ref # 2)	14045-031	1
SCREW PAN HEAD 6X30 (Ref # 3)	220B0630	7
SCREW PAN HEAD 6X55 (Ref # 4)	220B0655	2
PIN-DOWEL (Ref # 5)	92042-007	2
PLUG (Ref # 6)	92066-065	1
COVER,GENERATOR (Ref # 7)	14025-1107	1
SCREW OVL CNTSK 6X25 (Ref # 8)	222E0625	3
"O" RING,DYNAMO COVER (Ref # 9)	92055-108	1
"O" RING,DYNAMO COVER (Ref # 10)	92055-109	3
COVER,CHAIN (Ref # 11)	14026-037-2H	1
SCREW PAN HEAD 6X55 (Ref # 12)	220B0655	2
COVER,R.H ENGINE (Ref # 13)	14032-1030	1
GASKET,ENGINE COV,RH (Ref # 14)	11009-1235	1
PLUG,OIL FILLER (Ref # 15)	16115-013	1
SCREW PAN HEAD 6X30 (Ref # 16)	220B0630	12
GAUGE,OIL LEVEL (Ref # 17)	52015-004	1
PIN-DOWEL (Ref # 18)	92042-007	2
"O" RING,31MM (Ref # 19)	92055-049	1
BOLT HEX HEAD 6X8 (Ref # 20)	110B0608	1
COVER,FILTER (Ref # 21)	14025-1190	1
SCREW PAN HEAD 6X25 (Ref # 22)	220B0625	1
WASHER,PLAIN (Ref # 23)	92022-304	1
"O" RING (Ref # 24)	92055-098	1
"O" RING,FILTER COVER (Ref # 25)	92055-1048	1