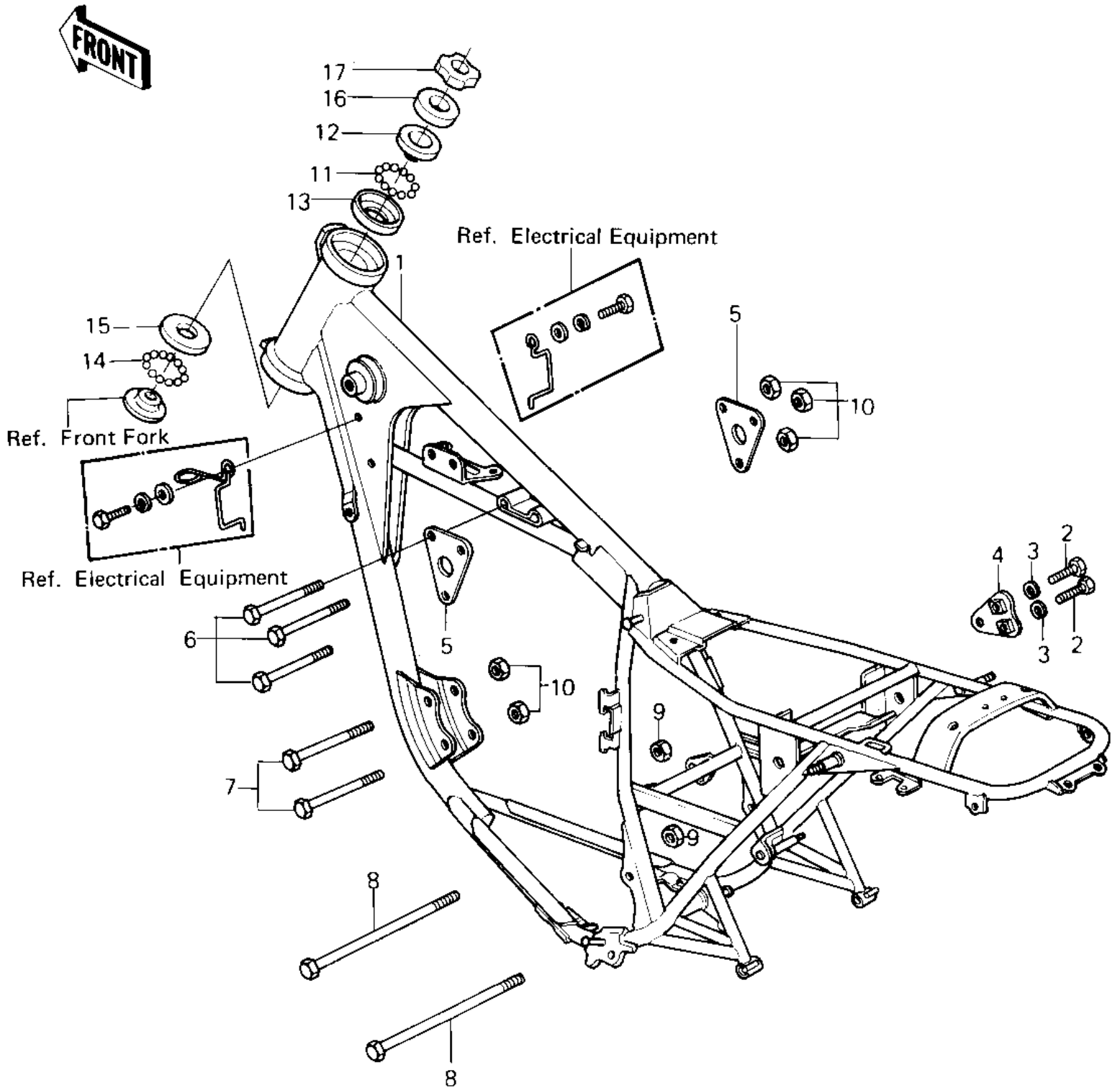


# 1980 KZ250 PARTS DIAGRAM

FRAME/FRAME FITTINGS (80 D1)



# 1980 KZ250 PARTS LIST

## FRAME/FRAME FITTINGS ('80 D1)

ITEM NAME	PART NUMBER	QUANTITY
FRAME, (Ref # 1)	32002-1113	1
BOLT-SMALL-UPSET,8X16 (Ref # 2)	115G0816	4
WASHER SPRING 8MM (Ref # 3)	461F0800	4
BRACKET,ENGINE (Ref # 4)	32029-1008	2
PLATE,ENGINE HEAD (Ref # 5)	32030-069	2
BOLT,FLANGED,8X60 (Ref # 6)	92001-1581	3
BOLT FLANGED,8X70 (Ref # 7)	92001-1583	2
BOLT, FLANGED, 10X110 (Ref # 8)	92001-1602	2
NUT,LOCK,10MM (Ref # 9)	92019-021	2
NUT,LOCK,8MM (Ref # 10)	92015-1124	5
BALL STEEL 3/16' (Ref # 11)	600A0600	23
CONE,STRG STM BRG,UP (Ref # 12)	92047-014	1
RACE,STRG STM BEARING (Ref # 13)	92048-009	1
BALL STEEL 1/4' (Ref # 14)	600A0800	19
RACE STEERING BEARING (Ref # 15)	92048-005	1
CAP,STEERING STEM (Ref # 16)	46098-012	1
NUT,STEERING STEM (Ref # 17)	92090-022	1