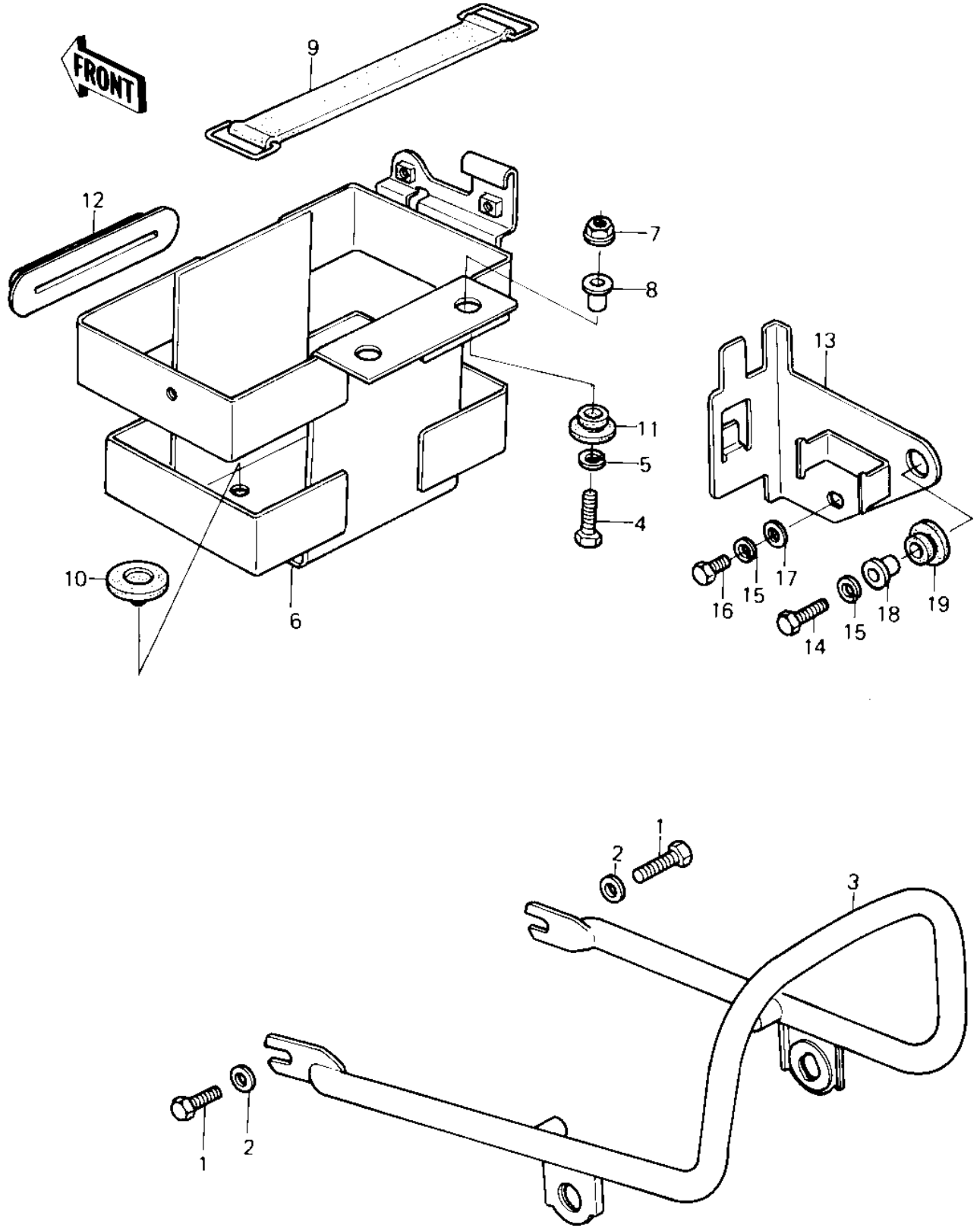


1980 KZ250 PARTS DIAGRAM

BATTERY CASE/ELECTRO BASKET ('80 D1)



1980 KZ250 PARTS LIST

BATTERY CASE/ELECTRO BASKET ('80 D1)

ITEM NAME	PART NUMBER	QUANTITY
BOLT-SMALL-UPSET,8X16 (Ref # 1)	115G0816	2
WASHER SPRING 8MM (Ref # 2)	461F0800	2
STAY,RR FENDER (Ref # 3)	35011-1039	1
BOLT 6X22 (Ref # 4)	112B0622	2
WASHER SPRING 6MM (Ref # 5)	461F0600	2
CASE,BATTERY (Ref # 6)	32097-1023	1
NUT-6MM (Ref # 7)	92015-1078	2
COLLAR (Ref # 8)	92027-194	3
BAND BATTERY (Ref # 9)	92072-006	1
DAMPER RUBBER (Ref # 10)	92075-078	4
DAMPER RUBBER (Ref # 11)	92075-277	2
DAMPER RUBBER (Ref # 12)	92075-280	1
BRACKET,RELAY (Ref # 13)	11034-1672	1
BOLT 6X22 (Ref # 14)	112B0622	1
WASHER SPRING 6MM (Ref # 15)	461F0600	2
BOLT-UPSET,6X12 (Ref # 16)	112G0612	1
WASHER PLAIN 6MM (Ref # 17)	411B0600	1
COLLAR (Ref # 18)	92027-194	1
DAMPER RUBBER (Ref # 19)	92075-277	1