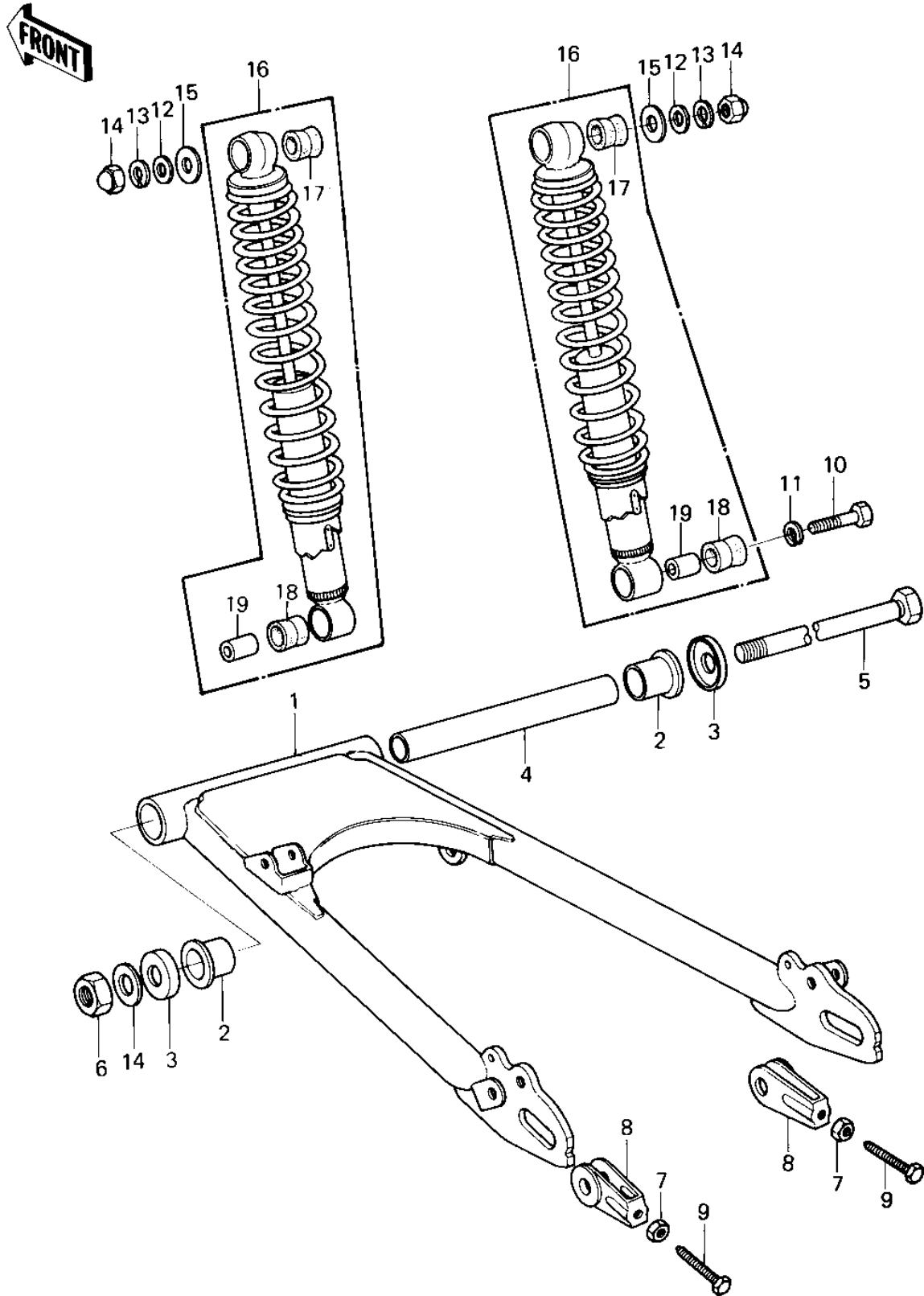


1980 KZ250 PARTS DIAGRAM

SWING ARM/SHOCK ABSORBERS ('80 D1)



1980 KZ250 PARTS LIST

SWING ARM/SHOCK ABSORBERS ('80 D1)

ITEM NAME	PART NUMBER	QUANTITY
SWING ARM (Ref # 1)	33001-1049	1
BUSHING-SWING ARM (Ref # 2)	33033-009	2
CAP,SWING ARM (Ref # 3)	33035-010	2
SLEEVE,SWING ARM (Ref # 4)	42036-1004	1
SHAFT-SWING ARM PIVOT (Ref # 5)	33032-037	1
NUT-LOCK,14MM (Ref # 6)	92019-011	1
NUT 8MM (Ref # 7)	312B0800	2
ADJUSTER,CHAIN (Ref # 8)	33040-1001	2
BOLT,8X50 (Ref # 9)	92001-1399	2
BOLT HEX HEAD 10X35 (Ref # 10)	113N1035	2
WASHER SPRING 10MM (Ref # 11)	461F1000	2
WASHER PLAIN 10MM (Ref # 12)	411B1000	2
WASHER SPRING 10MM (Ref # 13)	461F1000	2
NUT SHOCK ABSORBER (Ref # 14)	92020-003	2
WASHER-PL-10.5X26X2.3 (Ref # 15)	92022-044	2
SHOCK ABSBR RR (Ref # 16)	45014-1048	2
BUSHING,SHCK ABS RUB (Ref # 17)	45017-015	2
BUSHING, SHCK ABS RUB (Ref # 18)	45017-012	2
BUSHING,SHOCK ABSORB (Ref # 19)	45016-008	2