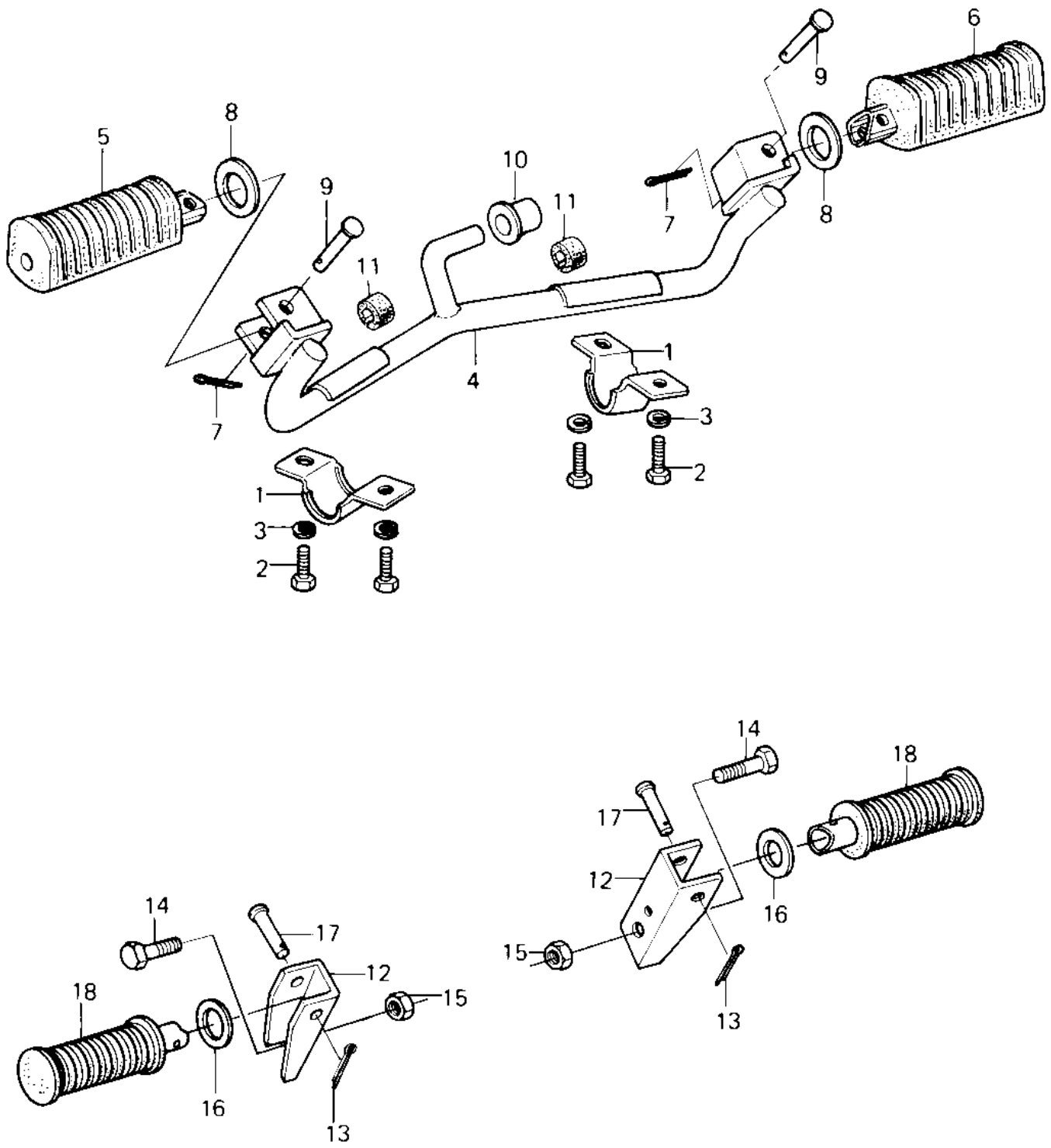


1980 KZ250 PARTS DIAGRAM

FOOTRESTS ('80 D1)



1980 KZ250 PARTS LIST

FOOTRESTS ('80 D1)

ITEM NAME	PART NUMBER	QUANTITY
HOLDER,FOOTREST (Ref # 1)	13091-1003	2
BOLT-SMALL-UPSET,8X16 (Ref # 2)	115G0816	4
WASHER SPRING 8MM (Ref # 3)	461F0800	4
BAR,FOOT REST (Ref # 4)	34003-1058	1
STEP-ASSY,FR,LH (Ref # 5)	34027-1106	1
STEP-ASSY,FR,RH (Ref # 6)	34027-1107	1
PIN COTTER 2.5X16 (Ref # 7)	550D2516	2
WASHER,PLAIN (Ref # 8)	92022-250	2
PIN,FOOTREST BAR FIT (Ref # 9)	92043-115	2
DAMPER,RUBBER (Ref # 10)	92075-1029	1
DAMPER,RUBBER (Ref # 11)	92075-306	2
HOLDER,REAR FOOTREST (Ref # 12)	34003-1025	2
PIN,COTTER,2.0X12 (Ref # 13)	550D2012	2
BOLT,HEX HEAD,10X40 (Ref # 14)	92003-213	2
NUT,LOCK,10MM (Ref # 15)	92019-021	2
WASHER-PLAIN (OPT) (Ref # 16)	92022-199	2
PIN (Ref # 17)	92043-1464	2
RUBBER,FOOTREST (Ref # 18)	92076-027	2