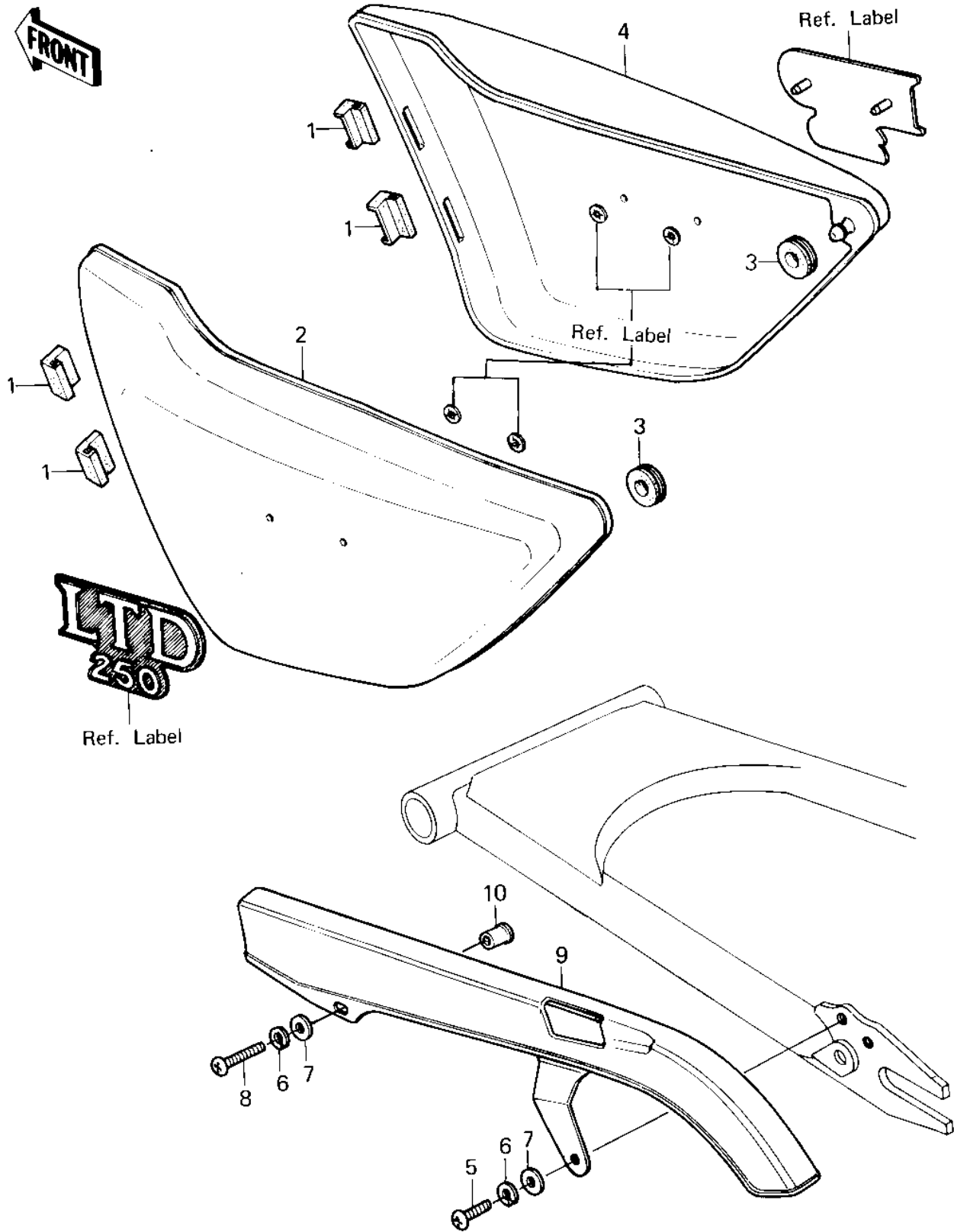


# 1980 KZ250 PARTS DIAGRAM

SIDE COVERS/CHAIN COVER (80 D1)



# 1980 KZ250 PARTS LIST

## SIDE COVERS/CHAIN COVER ('80 D1)

ITEM NAME	PART NUMBER	QUANTITY
PROTECTOR SIDE COVER (Ref # 1)	31082-005	4
COVER,L.H C.P.RED (Ref # 2)	36001-1091-A5	1
COVER,L.H L.D.BLUE (Ref # 2)	36001-1091-7Z	1
GROMMET (Ref # 3)	92071-056	2
COVER,R.H C.P.RED (Ref # 4)	36001-1092-A5	1
COVER,R.H L.D.BLUE (Ref # 4)	36001-1092-7Z	1
SCREW PAN HEAD 6X12 (Ref # 5)	220B0612	1
WASHER SPRING 6MM (Ref # 6)	461F0600	2
WASHER PLAIN 6MM (Ref # 7)	411B0600	2
SCREW PAN HEAD 6X50 (Ref # 8)	220B0650	1
CASE-CHAIN (Ref # 9)	36014-1021	1
DAMPER,RUBBER (Ref # 10)	92075-1030	1