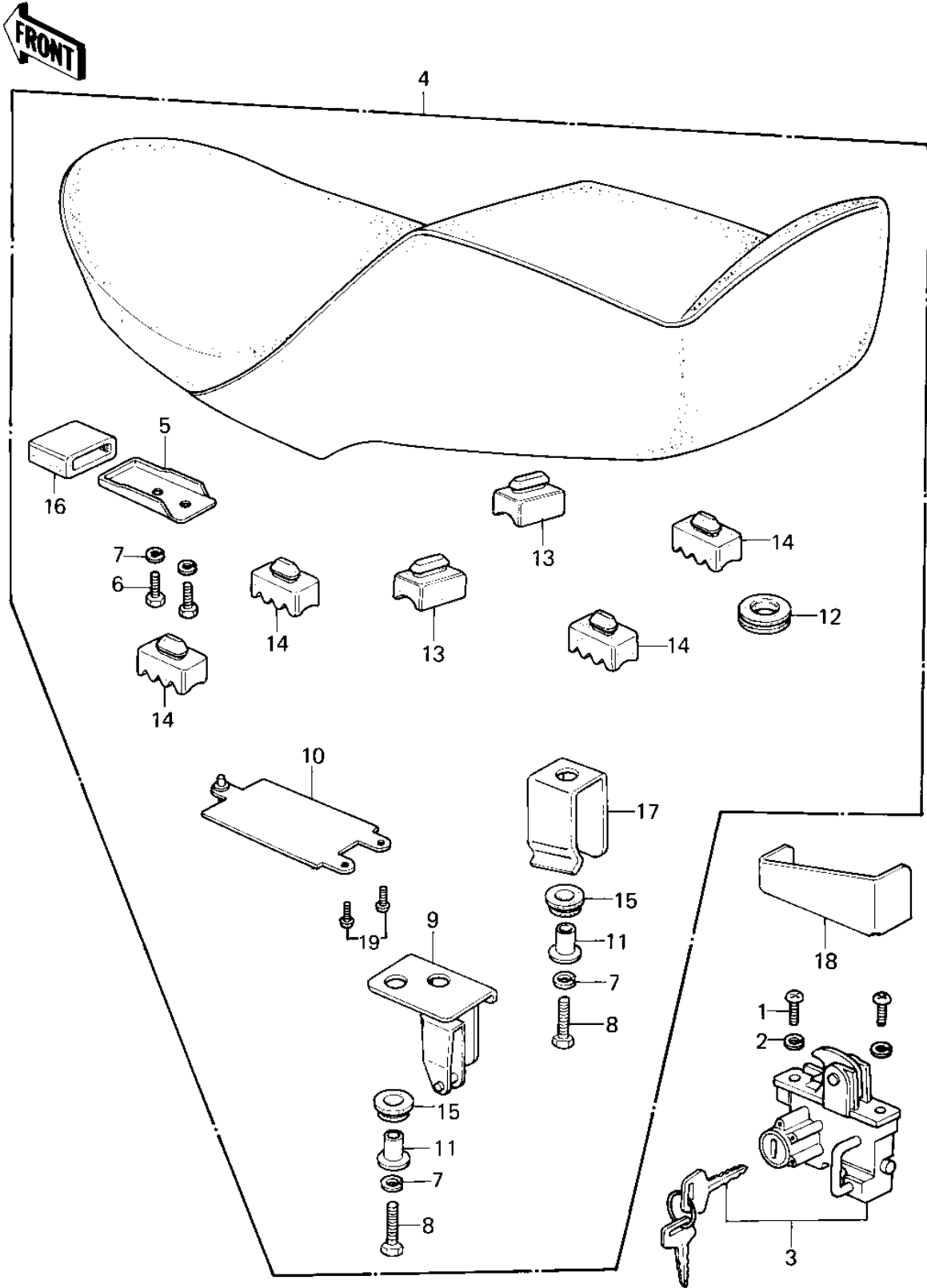


1980 KZ250 PARTS DIAGRAM

SEAT (80 D1)



1980 KZ250 PARTS LIST

SEAT (80 D1)

ITEM NAME	PART NUMBER	QUANTITY
SCREW PAN HEAD 6X14 (Ref # 1)	220B0614	2
WASHER SPRING 6MM (Ref # 2)	461F0600	2
LOCK ASSY,SEAT HELMET (Ref # 3)	27016-5028	1
SEAT-ASSY (Ref # 4)	53001-1121	1
BRACKET,HOLDER (Ref # 5)	11034-1135	1
BOLT-UPSET,6X12 (Ref # 6)	112G0612	2
WASHER SPRING 6MM (Ref # 7)	461F0600	5
BOLT-UPSET (Ref # 8)	112G0625	3
HOOK,SEAT (Ref # 9)	27012-1015	1
CASE (Ref # 10)	32099-011	1
COLLAR,SEAT (Ref # 11)	92027-1062	3
GROMMET (Ref # 12)	92071-056	1
DAMPER RUBBER (Ref # 13)	92075-099	2
DAMPER,SEAT (Ref # 14)	92075-1007	4
DAMPER, HEAD LMP FITT (Ref # 15)	92075-1123	3
DAMPER RUBBER,SEAT (Ref # 16)	92075-219	1
SPRING,SEAT (Ref # 17)	92081-1205	1
GUARD,SEAT (Ref # 18)	55020-1042	1
SCREW (Ref # 19)	92009-1043	2