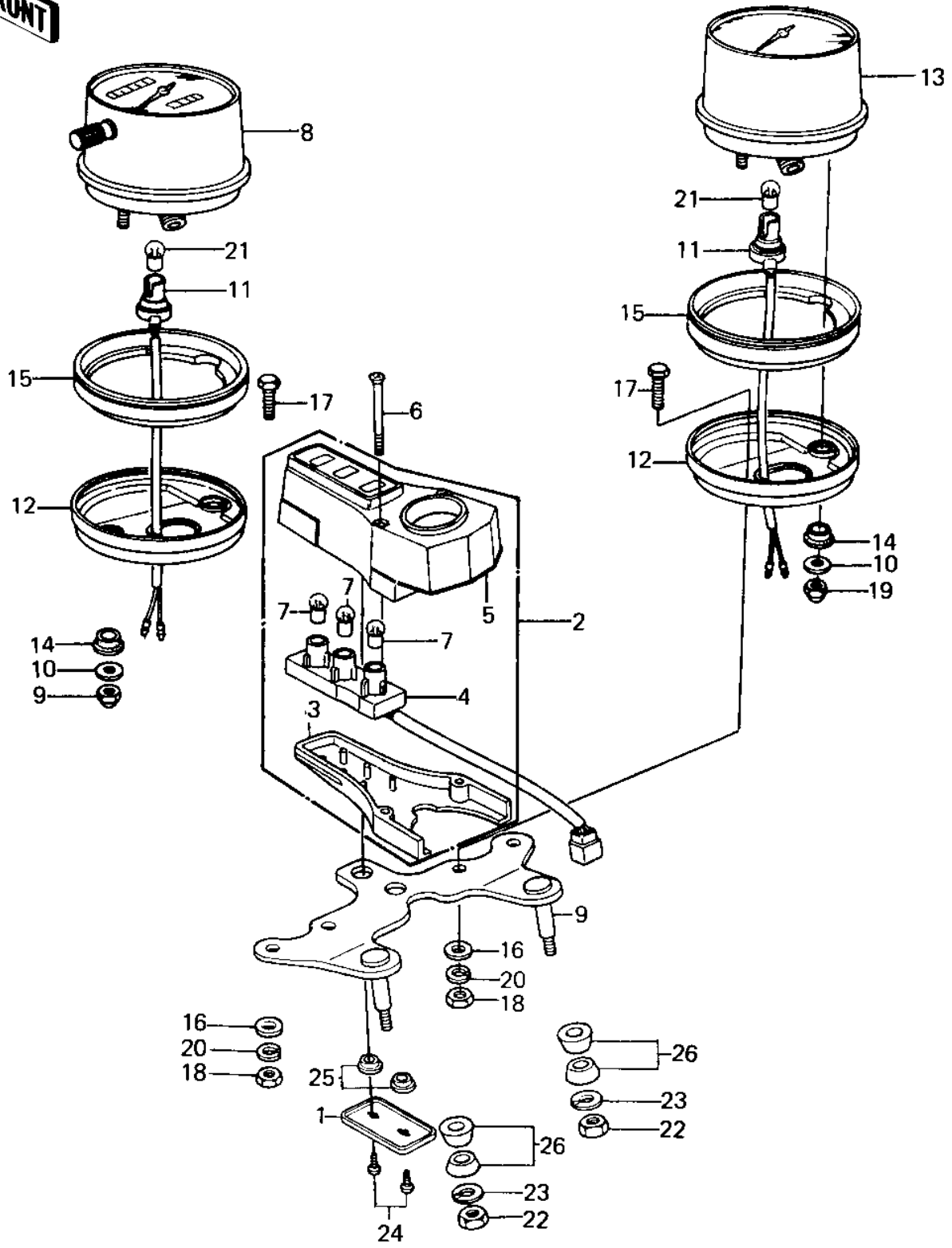


# 1980 KZ250 PARTS DIAGRAM

METERS ('80 D1)



# 1980 KZ250 PARTS LIST

METERS ('80 D1)

ITEM NAME	PART NUMBER	QUANTITY
PLATE,PILOT LAMP (Ref # 1)	13169-1136	1
LAMP ASSY,PILOT (Ref # 2)	23016-1017	1
COVER,METER BRACKET (Ref # 3)	14025-1101	1
SOCKET ASSY,INDICATOR (Ref # 4)	25011-056	1
COVER,INDICATOR LAMP (Ref # 5)	25023-1018	1
SCREW-CSK-RD-CROS,4X4 (Ref # 6)	222C0445	2
BULB 12V 3W (Ref # 7)	92069-018	3
SPEEDOMETER,MPH (Ref # 8)	25005-1060	1
SPEEDOMETER.ASSY,KPH (Ref # 8)	25005-1072	1
BRACKET,METER (Ref # 9)	25008-1013	1
WASHER,5.2X16X16X1.2T (Ref # 10)	25009-004	1
SOCKET ASSY (Ref # 11)	25010-022	2
COVER,METER (Ref # 12)	25012-025	2
TACHOMETER ASSY (Ref # 13)	25015-1016	1
DAMPER RUBBER-METER (Ref # 14)	25019-013	4
SHOCK DAMPER,SPEEDMET (Ref # 15)	25019-031	2
WASHER PLAIN 6MM (Ref # 16)	411B0600	4
BOLT,HEX HEAD,6X14 (Ref # 17)	92003-204	4
NUT (Ref # 18)	92015-078	4
NUT-CAP,5MM (Ref # 19)	322N0500	4
WASHER-SPRING,6MM,BLA (Ref # 20)	461K0600	4
BULB 12V 3W (Ref # 21)	92069-018	2
NUT 6MM (Ref # 22)	311B0600	2
WASHER SPRING 6MM (Ref # 23)	461F0600	2
SCREW,TAPPING,4X10 (Ref # 24)	92009-1040	2
DAMPER,PILOT LAMP (Ref # 25)	92075-1138	2
DAMPER RUBBER,METER (Ref # 26)	92075-248	4