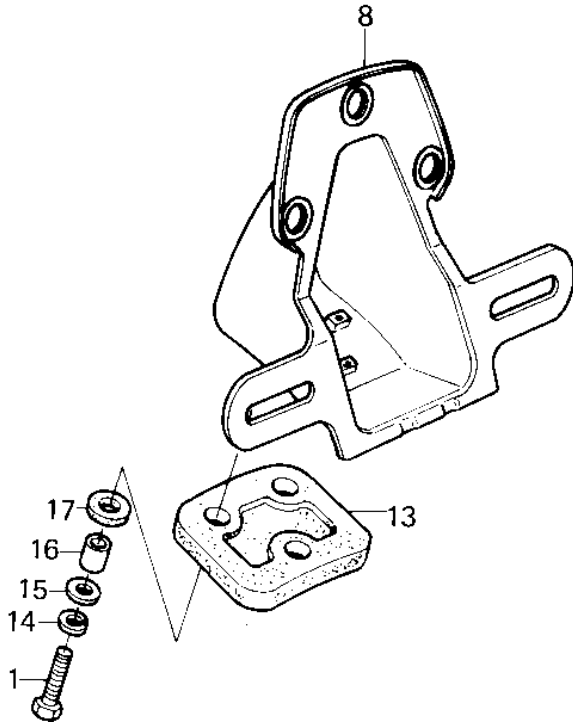
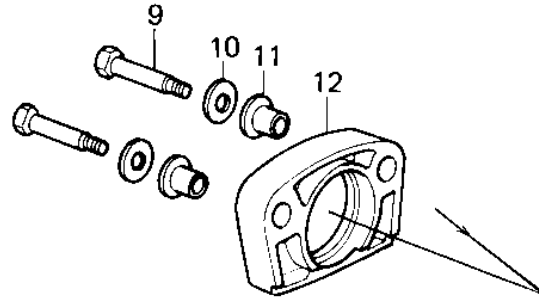
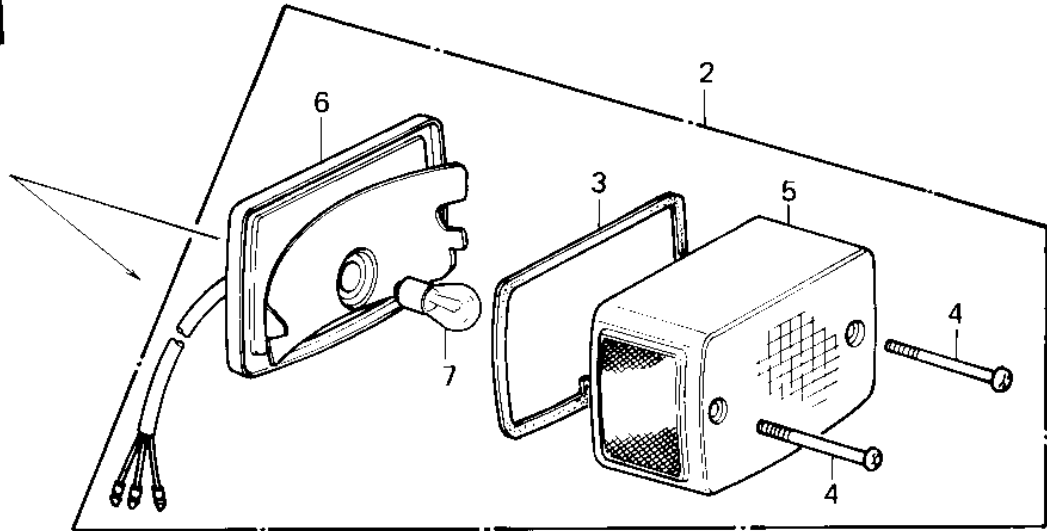


1980 KZ250 PARTS DIAGRAM

TAILLIGHT ('80 D1)



1980 KZ250 PARTS LIST

TAILLIGHT ('80 D1)

ITEM NAME	PART NUMBER	QUANTITY
BOLT-UPSET (Ref # 1)	112G0625	3
TAIL LAMP UNIT (Ref # 2)	23025-1033	1
GASKET,TAIL LAMP LENS (Ref # 3)	11009-1078	1
SCREW,PAN HEAD,4X40 (Ref # 4)	220E0440A	2
LENS,TAIL LAMP (Ref # 5)	23026-1003	1
CASE,TAIL LAMP (Ref # 6)	23027-1020	1
BULB,12V 32/3CP (Ref # 7)	92069-059	1
BRACKET,TAIL LAMP (Ref # 8)	23036-1024	1
BOLT,TAIL LAMP FITTNG (Ref # 9)	92001-1322	2
WASHER,8.5X20X1.6 (Ref # 10)	92022-1561	2
DAMPER RUBBER (Ref # 11)	92075-1162	2
DAMPER RUBBER,TAIL (Ref # 12)	92075-1251	1
DAMPER RUBBER,RR FEND (Ref # 13)	35039-004	1
WASHER SPRING 6MM (Ref # 14)	461F0600	3
WASHER 6.5X20X1.6T (Ref # 15)	92022-125	3
COLLAR 6.8X10X14.5 (Ref # 16)	92027-156	3
DAMPER RUBBER,RR FEND (Ref # 17)	92075-121	3