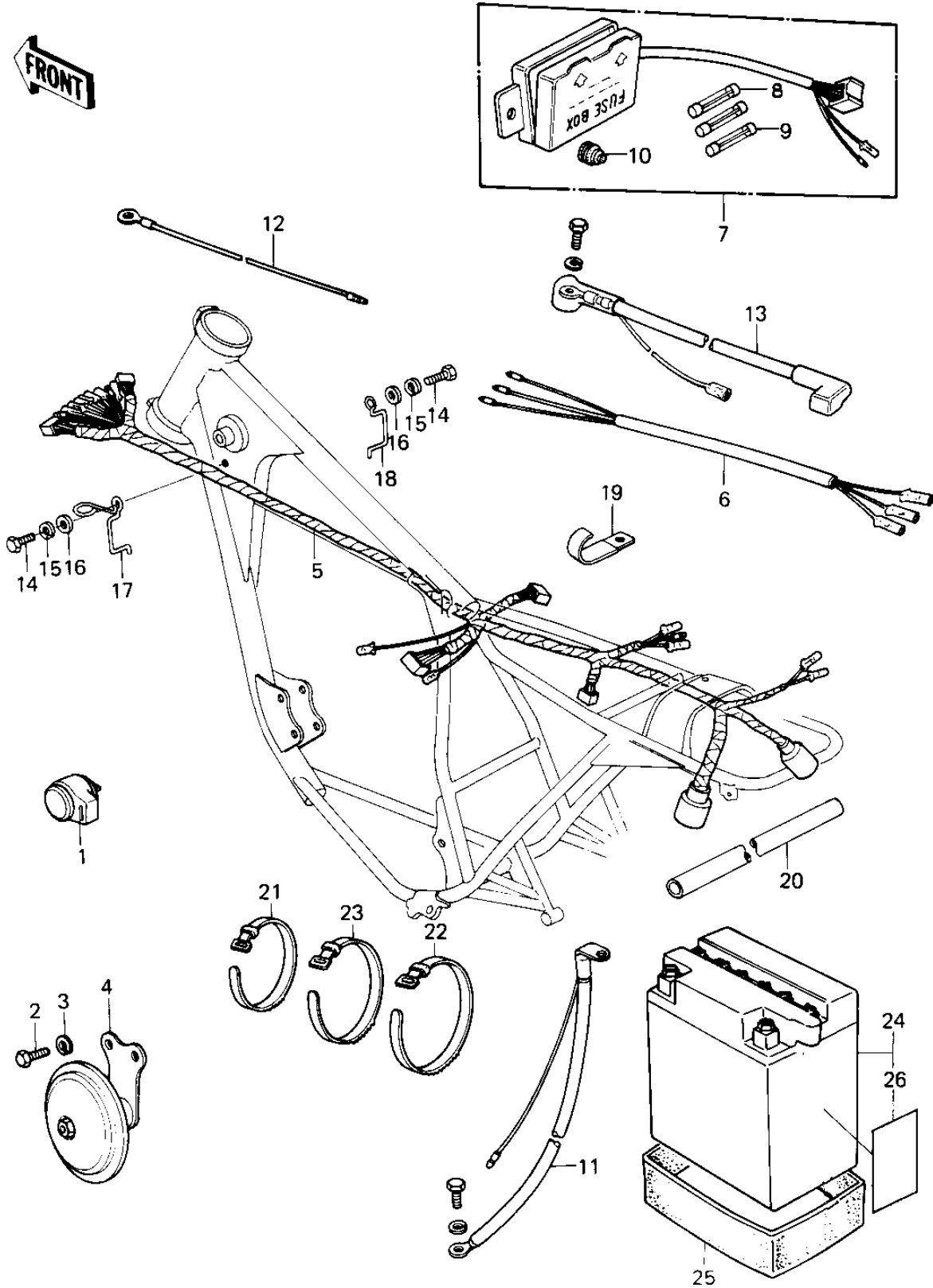


1980 KZ250 PARTS DIAGRAM

CHASSIS ELECTRICAL EQUIPMENT ('80 D1)



1980 KZ250 PARTS LIST

CHASSIS ELECTRICAL EQUIPMENT ('80 D1)

ITEM NAME	PART NUMBER	QUANTITY
RELAY-TURN SIGNAL (Ref # 1)	27002-011	1
BOLT-UPSET,6X12 (Ref # 2)	112G0612	2
WASHER SPRING 6MM (Ref # 3)	461F0600	2
HORN (Ref # 4)	27003-1348	1
WIRING HARNESS,MAIN (Ref # 5)	26001-1129	1
WIRING HARNESS,REAR (Ref # 6)	26002-041	1
FUSE ASSY (Ref # 7)	26004-035	1
FUSE-20A (Ref # 8)	26006-005	2
FUSE 10A (Ref # 9)	26006-003	3
DAMPER RUBBER,FUSE (Ref # 10)	92075-279	1
WIRE,BATTERY GROUND (Ref # 11)	26010-052	1
WIRE,LEAD (Ref # 12)	26011-095	1
WIRE,MAGNETIC SWITCH (Ref # 13)	26011-1035	1
BOLT-UPSET,6X12 (Ref # 14)	112G0612	2
WASHER SPRING 6MM (Ref # 15)	461F0600	2
WASHER PLAIN 6MM (Ref # 16)	411B0600	2
CLAMP (Ref # 17)	92037-202	1
CLAMP (Ref # 18)	92037-203	1
CLAMP,HARNESS (Ref # 19)	92037-113	2
TUBE,P.V.C,8X9X200 (Ref # 20)	92059-1150	2
BAND,SHORT (Ref # 21)	92072-030	6
BAND,LONG (Ref # 22)	92072-032	1
BAND,WIRING HARNESS (Ref # 23)	92072-056	1
YUA BAT 12N10-3A-2 (Ref # 24)	26012-1035	1
BAND,BATTERY (Ref # 25)	92072-1020	1
LABEL, BATTERY CAUSON (Ref # 26)	56022-157	1