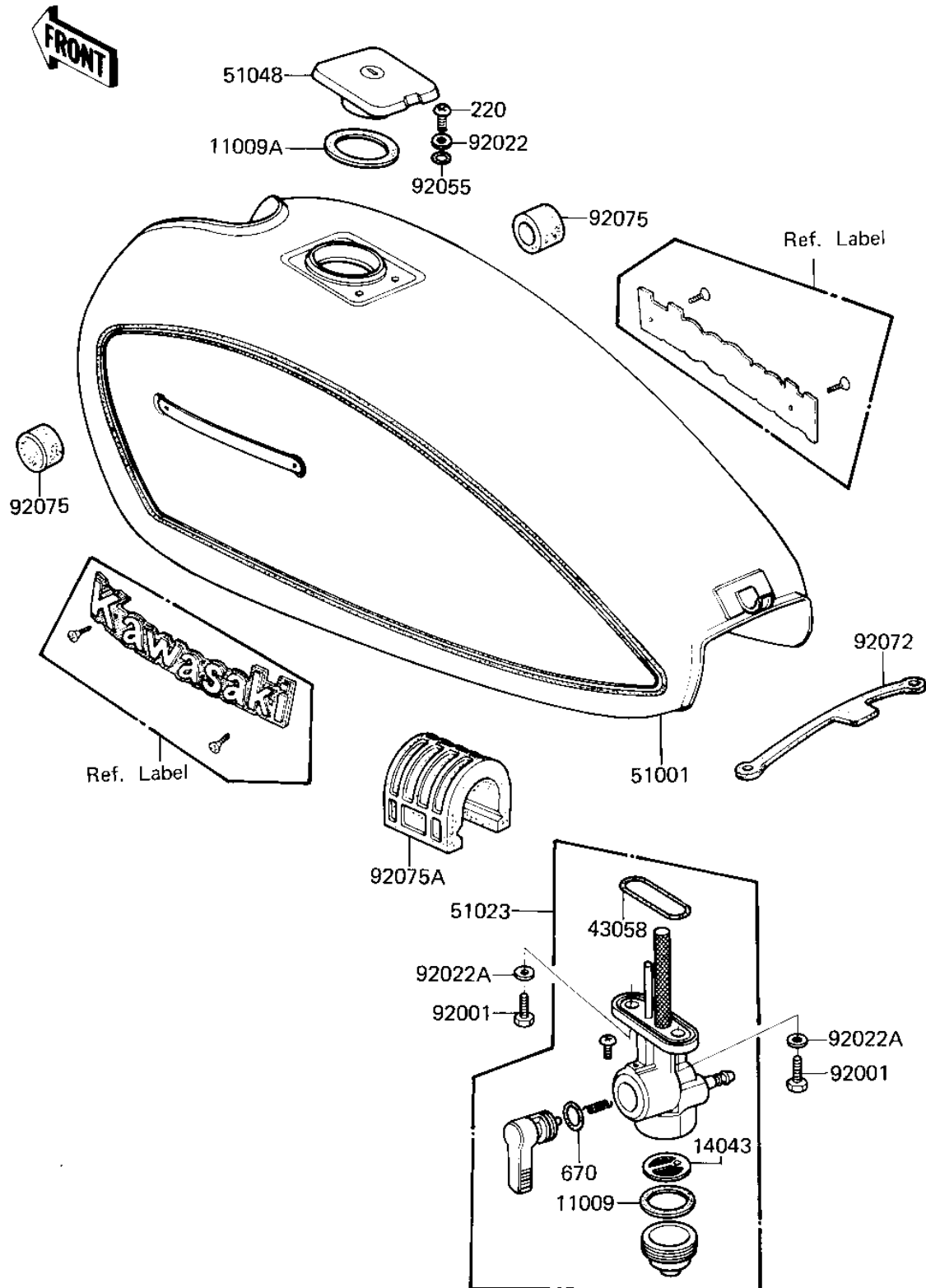


1981 CSR PARTS DIAGRAM

FUEL TANK ('81 D2)

F2410-0004



1981 CSR PARTS LIST

FUEL TANK ('81 D2)

ITEM NAME	PART NUMBER	QUANTITY
GASKET,FUEL TAP CUP (Ref # 11009)	11009-1013	1
GASKET,FUEL TANK CAP (Ref # 11009A)	11009-1051	1
STRINER,FUEL TAP (Ref # 14043)	14043-1002	1
"O" RING (Ref # 43058)	51039-003	1
TANK-FUEL,L.P.RED (Ref # 51001)	51001-1039-D9	1
TAP ASSY FUEL (Ref # 51023)	51023-1051	1
CAP ASSY TANK (Ref # 51048)	51048-1018	1
BOLT,6X20,FUEL TAP (Ref # 92001)	92001-1091	2
WASHER,PLAIN (Ref # 92022)	92022-1038	2
WASHER-PLAIN (Ref # 92022A)	92022-183	2
"O" RING (Ref # 92055)	92055-1023	2
BAND,FUEL TANK (Ref # 92072)	92072-042	1
DAMPER RUBBER-FL TANK (Ref # 92075)	92075-101	2
DAMPER RUBBER,FL TNK (Ref # 92075A)	92075-215	1
SCREW PAN HEAD 5X10 (Ref # 220)	220B0510	2
"O" RING, 10MM (Ref # 670)	670B2010	1