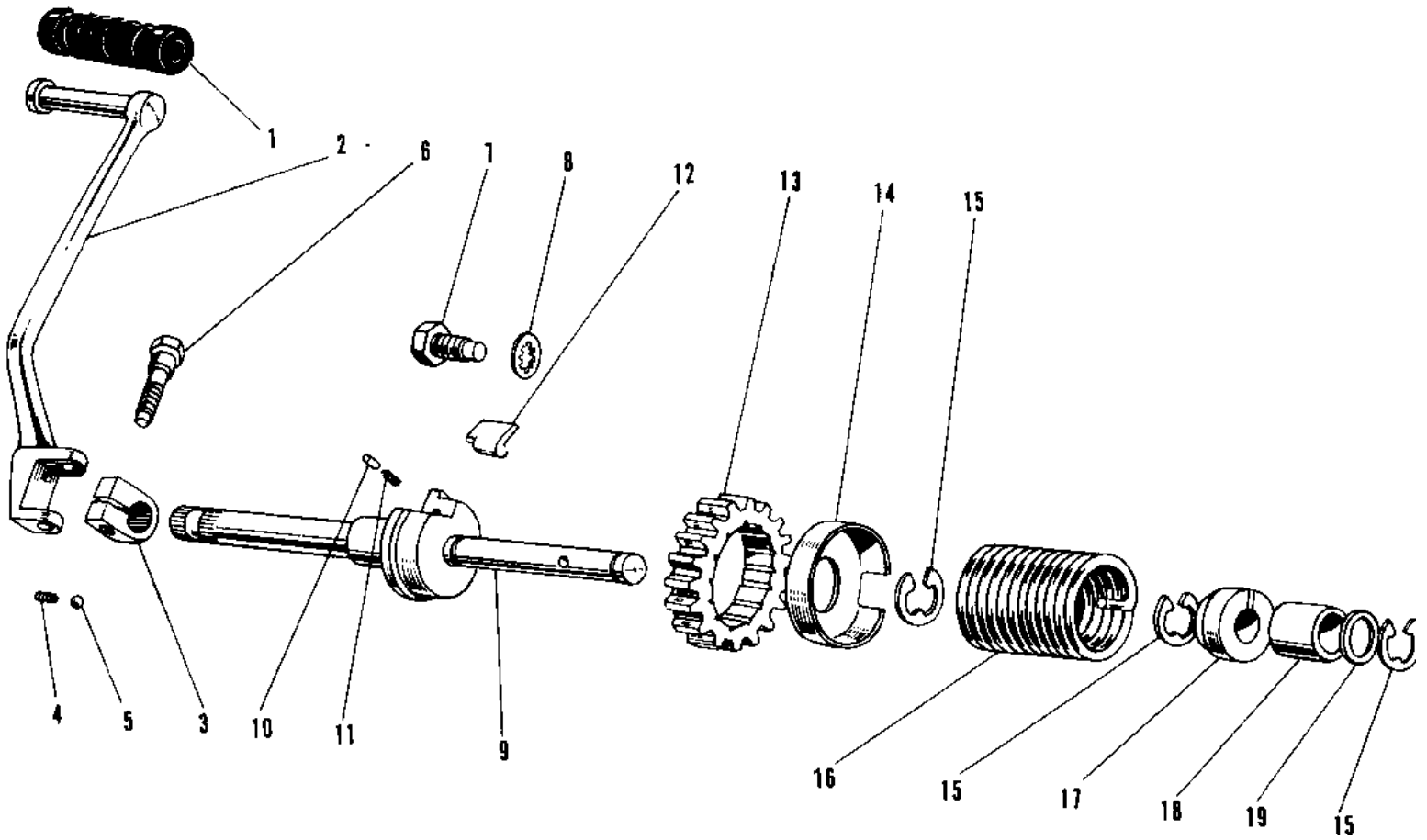


1971 A1-B PARTS DIAGRAM

KICKSTARTER MECHANISM



1971 A1-B PARTS LIST

KICKSTARTER MECHANISM

| ITEM NAME | PART NUMBER | QUANTITY |
|----------------------------------|-------------|----------|
| RUBBER KICK PEDAL (Ref # 1) | 13063-004 | 1 |
| PEDAL,KICKSTARTER (Ref # 2~6) | 13064-016 | 1 |
| BOSS KICK PEDAL (Ref # 3) | 13061-007 | 1 |
| SPRING KICK PEDAL (Ref # 4) | 92081-020 | 1 |
| BALL STEEL 1/4' (Ref # 5) | 600A0800 | 1 |
| BOLT 10MM (Ref # 6) | 92001-071 | 1 |
| STOPPER KICKSTARTER (Ref # 7) | 13072-006 | 1 |
| WASHER LOCK 12MM (Ref # 8) | 463G1200 | 1 |
| SHAFT KICKSTARTER (Ref # 9) | 13066-008 | 1 |
| PIN KICKSTARTER PAWL (Ref # 10) | 92042-001 | 1 |
| SPRING KICK PAWL (Ref # 11) | 92081-022 | 1 |
| PAWL KICKSTARTER (Ref # 12) | 13069-006 | 1 |
| GEAR KICKSTARTER (Ref # 13) | 13068-009 | 1 |
| PLATE KICK GEAR HLDER (Ref # 14) | 13071-003 | 1 |
| CIRCLIP 10MM (Ref # 15) | 482J0100 | 3 |
| SPRING KICKSTARTER (Ref # 16) | 92081-021 | 1 |
| GUIDE KICK SPRING (Ref # 17) | 13070-001 | 1 |
| BUSH KICKSTARTER SFT (Ref # 18) | 92028-044 | 1 |
| WASHER 13MM (Ref # 19) | 92022-073 | 1 |