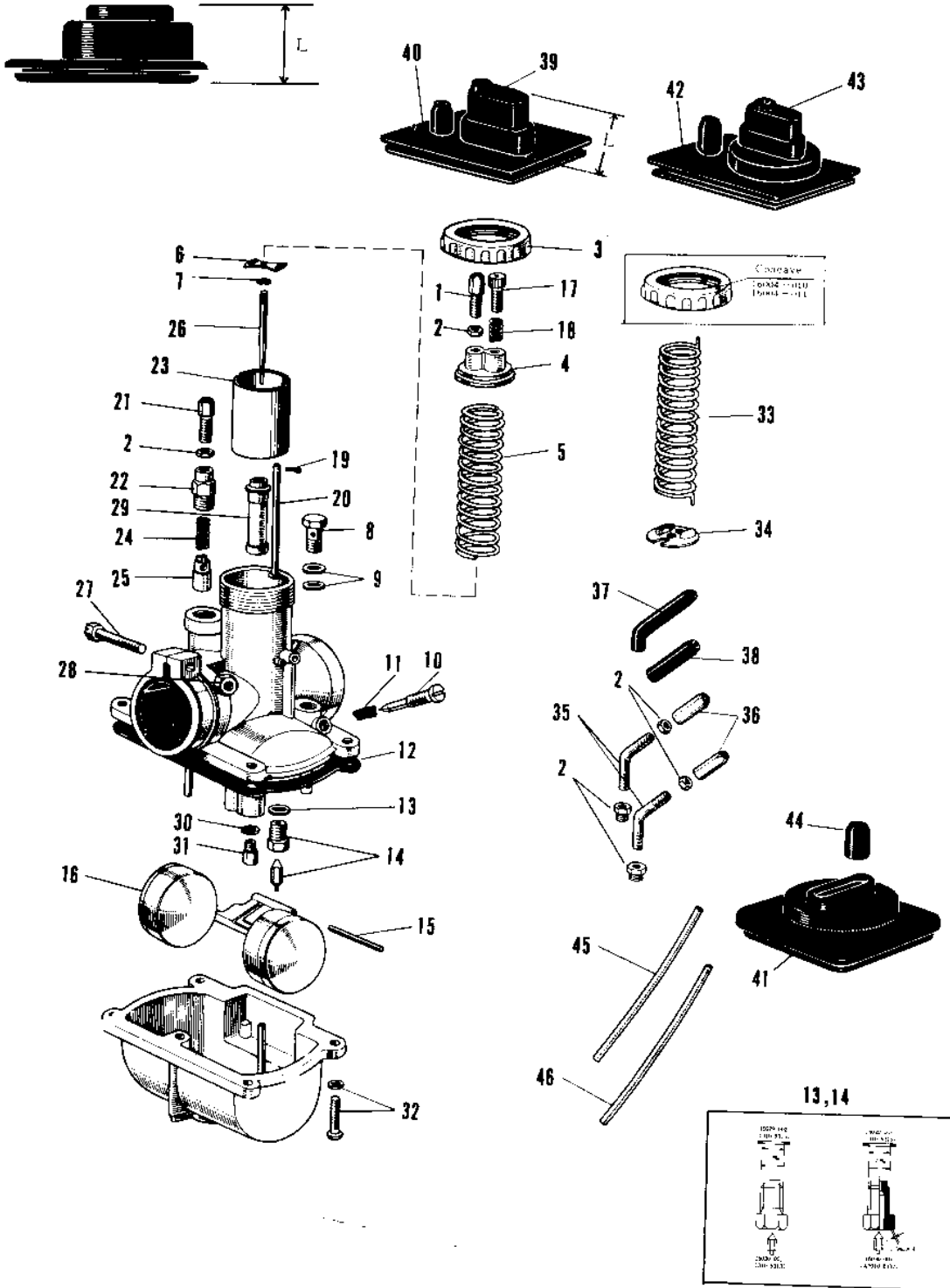


# 1969 Avenger SS PARTS DIAGRAM

CARBURETOR VM22SC, VM26SC



# 1969 Avenger SS PARTS LIST

CARBURETOR VM22SC, VM26SC

| ITEM NAME                            | PART NUMBER | QUANTITY |
|--------------------------------------|-------------|----------|
| CARBURETOR ASSY (Ref # 1~32)         | 16001-038   | 1        |
| CARBURETOR ASSY (Ref # 1~32 3)       | 16001-044   | 1        |
| CABLE ADJUSTER (Ref # 1)             | 16002-002   | 1        |
| NUT CABLE ADJUST LOCK (Ref # 2)      | 16003-004   | 6        |
| CAP-MIXING CHAMBER (Ref # 3)         | 16004-002   | 2        |
| CAP MIXING CHAMBER (Ref # 3)         | 16004-010   | 2        |
| TOP MIXING CHAMBER (Ref # 4)         | 16005-005   | 2        |
| SPRING THROTTLE VALVE (Ref # 5)      | 16006-013   | 2        |
| SPRING SEAT THRTL VLV (Ref # 6)      | 16007-002   | 2        |
| CIRCLIP (Ref # 7)                    | 16008-010   | 2        |
| BOLT BANJO (Ref # 8)                 | 92001-014   | 2        |
| UNAVAILABLE IN PRICE BOOK (Ref # 9)  | 751P0880    | 4        |
| SCREW PILOT AIR ADJST (Ref # 10)     | 16014-003   | 2        |
| SPRING,THROTTLE ADJST (Ref # 11)     | 16022-010   | 2        |
| GASKET FLOAT CHAMBER (Ref # 12)      | 16019-004   | 2        |
| WASHER VALVE SEAT (Ref # 13)         | 16029-002   | 2        |
| FLOAT VALVE ASSY (Ref # 14)          | 16030-001   | 2        |
| FLOAT PIN (Ref # 15)                 | 16032-003   | 2        |
| FLOAT (Ref # 16)                     | 16031-004   | 2        |
| SCREW,THROTTLE STOP (Ref # 17)       | 16021-002   | 2        |
| SPRING THR STOP SCREW (Ref # 18)     | 16022-005   | 2        |
| UNAVAILABLE IN PRICE BOOK (Ref # 19) | 16023-001   | 2        |
| ROD THROTTLE VLV STOP (Ref # 20)     | 16024-002   | 2        |
| CABLE ADJUSTER (Ref # 21)            | 16002-002   | 1        |
| CAP STARTER PLUNGER (Ref # 22)       | 16012-004   | 2        |
| VALVE THROTTLE (Ref # 23)            | 16025-011   | 2        |
| SPRING STARTER PLUNG (Ref # 24)      | 16013-005   | 2        |
| PLUNGER-ENRICHNER (Ref # 25)         | 16016-002   | 2        |
| JET NEEDLE 4J13 (Ref # 26)           | 16009-012   | 2        |

# 1969 Avenger SS PARTS LIST

CARBURETOR VM22SC, VM26SC

| ITEM NAME                        | PART NUMBER | QUANTITY |
|----------------------------------|-------------|----------|
| SCREW CLAMP (Ref # 27)           | 16010-004   | 2        |
| NUT 6MM (Ref # 28)               | 311B0600    | (2       |
| NUT 6MM (Ref # 28)               | 311B0600    | 2        |
| NEEDLE JET 0-6 (Ref # 29)        | 16017-026   | 2        |
| WASHER MAIN JET (Ref # 30)       | 16034-001   | 2        |
| JET-MAIN NO 150A (Ref # 31)      | 92063-016   | 2        |
| SCREW FLOAT CHAMBER (Ref # 32)   | 16033-008   | 8        |
| SCREW FLOAT CHAMBER (Ref # 32)   | 16033-009   | 8        |
| CABLE GUIDE (Ref # 35)           | 16077-001   | 2        |
| CABLE ADJUSTER (Ref # 36)        | 16002-004   | 2        |
| CAP CABLE ADJUSTER B (Ref # 37)  | 16036-003   | 1        |
| CAP CABLE ADJUSTER A (Ref # 38)  | 16036-002   | 1        |
| GROMMET CARB CAP (Ref # 39)      | 14038-006   | 1        |
| CAP CARBURETOR (Ref # 40)        | 14038-008   | 1        |
| CAP L.H CARBURETOR (Ref # 41)    | 14038-009   | 1        |
| CAP THROTTLE ADJUSTER (Ref # 44) | 16037-002   | 1        |
| PIPE FUEL OVERFLOW (Ref # 45)    | 92059-031   | 1        |
| PIPE FUEL OVERFLOW R (Ref # 46)  | 92059-027   | 1        |