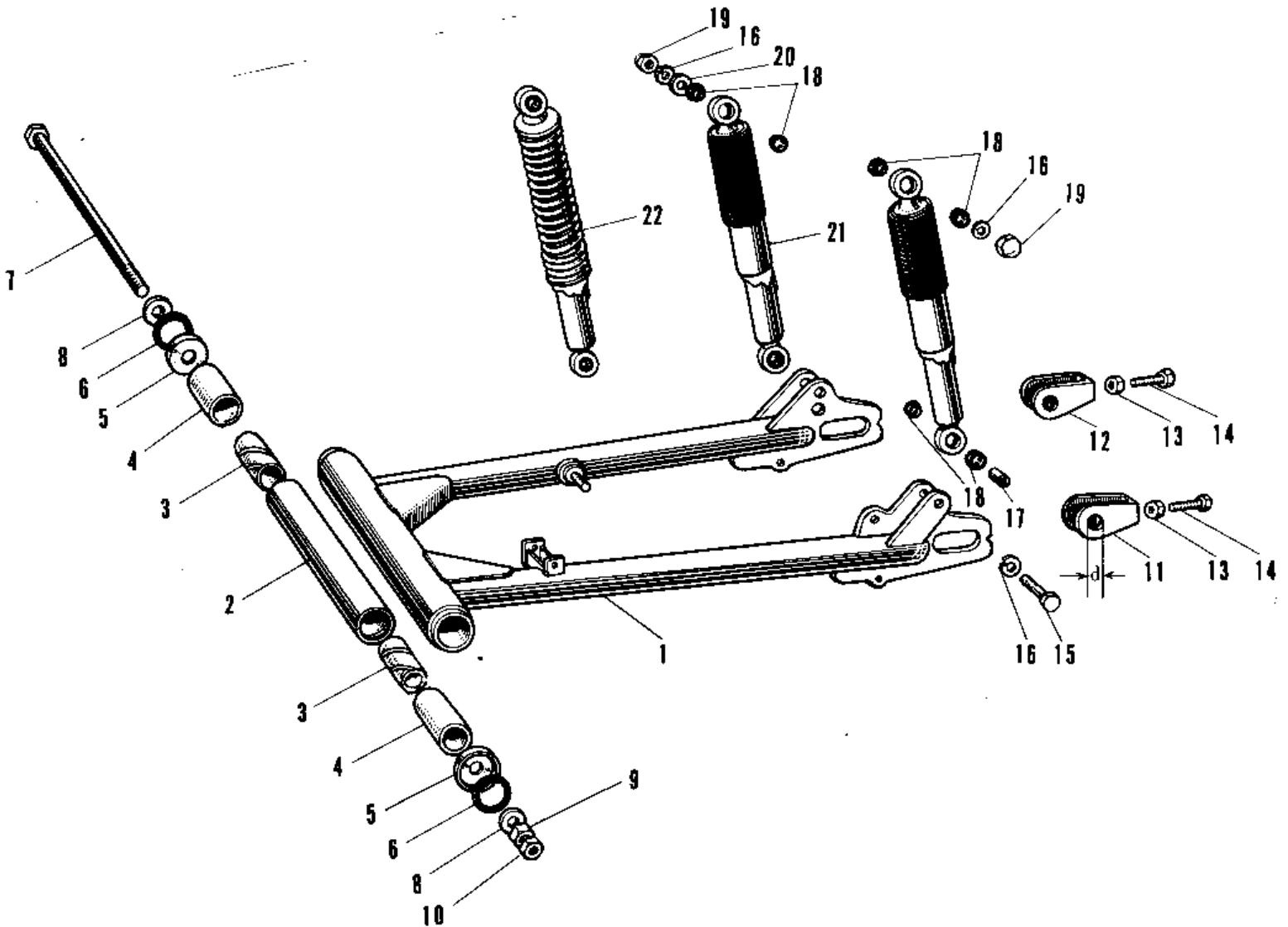


1971 A7SS-B PARTS DIAGRAM

SWING ARM/SHOCK ABSORBERS A1A-A7SSA



1971 A7SS-B PARTS LIST

SWING ARM/SHOCK ABSORBERS A1A-A7SSA

| ITEM NAME | PART NUMBER | QUANTITY |
|--------------------------------------|--------------|----------|
| ARM-SWING (Ref # 1) | 33001-030 | 1 |
| SLEEVE-SWING ARM LONG (Ref # 2) | 33034-014 | 1 |
| SLEEVE-SWING ARM,SHRT (Ref # 3) | 33034-013 | 2 |
| BUSH-SWING ARM (Ref # 4) | 33033-008 | 2 |
| HOLDER DUST SHIELD (Ref # 5) | 33035-001 | 2 |
| DUST SHIELD PIVOT SFT (Ref # 6) | 92093-004 | 2 |
| SHAFT SWING ARM PIVOT (Ref # 7) | 33032-012 | 1 |
| WASHER PLAIN 14MM (Ref # 8) | 410B1400 | 2 |
| NUT,14MM (Ref # 9) | 314B1400 | 1 |
| NUT 14MM (Ref # 10) | 315B1400 | 1 |
| ADJUSTER CHAIN L.H (Ref # 11) | 33040-032 | 1 |
| ADJUSTER CHAIN R.H (Ref # 12) | 33040-033 | 1 |
| NUT 8MM (Ref # 13) | 312B0800 | 2 |
| BOLT,8X50 (Ref # 14) | 92001-1399 | 2 |
| BOLT HEX HEAD 10X35 (Ref # 15) | 113N1035 | 2 |
| WASHER SPRING 10MM (Ref # 16) | 461F1000 | 4 |
| BUSH SHCK ABS PVT SFT (Ref # 17) | 45016-003 | 2 |
| BUSH SHCK ABS RUBBER (Ref # 18) | 45017-001 | 8 |
| NUT SHOCK ABSORBER (Ref # 19) | 92020-003 | 2 |
| WASHER-PL-10.5X26X2.3 (Ref # 20) | 92022-044 | 1 |
| UNAVAILABLE IN PRICE BOOK (Ref # 21) | 45015-002-10 | 2 |
| SHOCK ABSORBER REAR (Ref # 22) | 45014-024 | 2 |