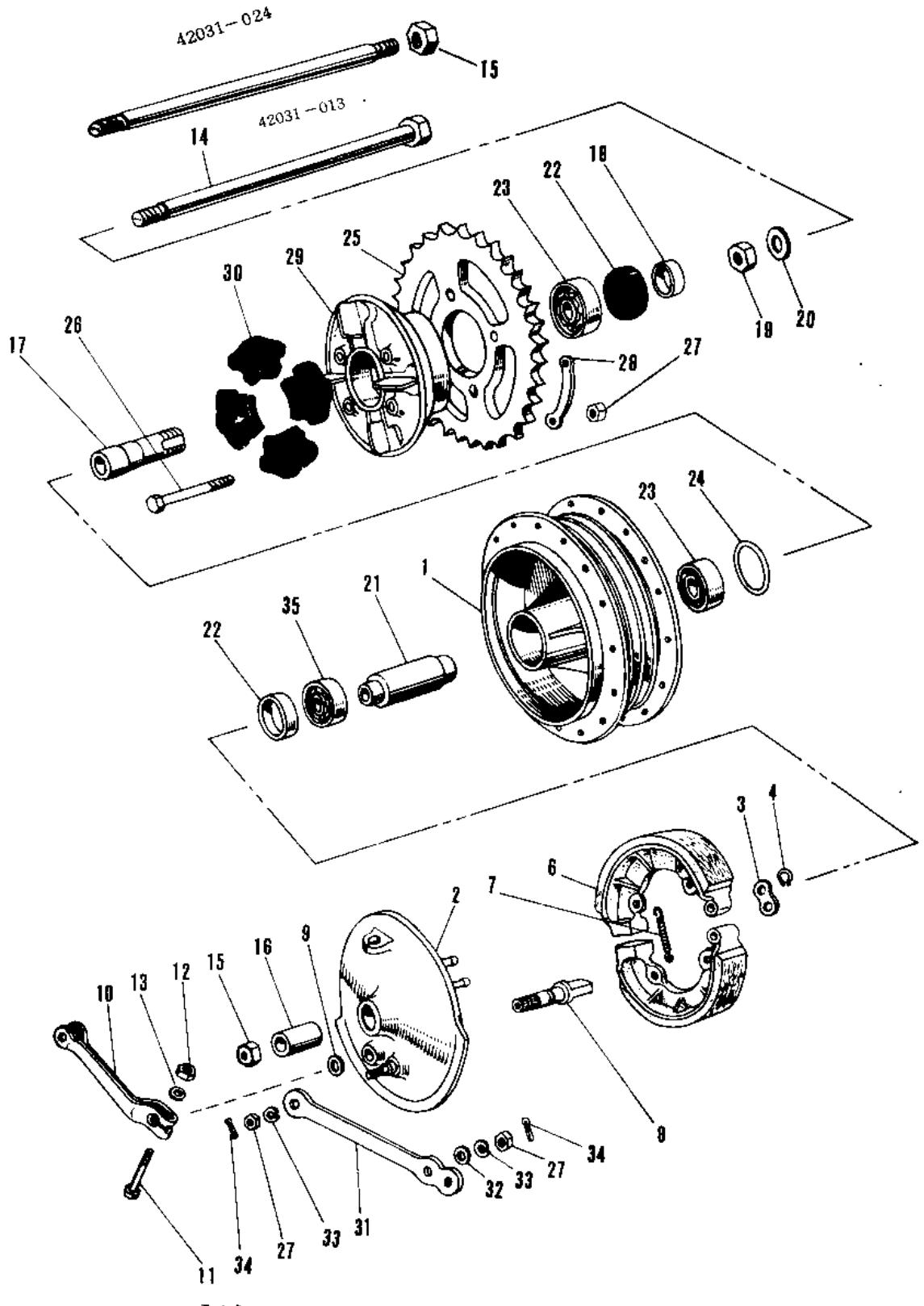


1967 Avenger PARTS DIAGRAM

REAR HUB/BRAKE



1967 Avenger PARTS LIST

REAR HUB/BRAKE

| ITEM NAME | PART NUMBER | QUANTITY |
|--------------------------------------|--------------|----------|
| DRUM ASSY REAR BRAKE (Ref # 1,21,2) | 42005-009 | 1 |
| PANEL-ASY,RR BRK,BUFF (Ref # 2~13) | 42006-007-80 | 1 |
| WASHER,BRAKE SHOE (Ref # 3) | 41045-007 | 1 |
| CIRCLIP 14MM (Ref # 4) | 480J1400 | 2 |
| SHOE REAR BRAKE (Ref # 6) | 42019-003 | 2 |
| SPRING BRAKE SHOE (Ref # 7) | 41049-003 | 1 |
| CAM SHAFT,REAR BRAKE (Ref # 8) | 42026-015 | 1 |
| DUST SHIELD BRAKE CAM (Ref # 9) | 41051-001 | 1 |
| LEVER,REAR BRAKE CAM (Ref # 10) | 42029-037 | 1 |
| BOLT-UPSET,6X40 (Ref # 11) | 112G0640 | 1 |
| NUT 6MM (Ref # 12) | 311B0600 | 1 |
| WASHER PLAIN 6MM (Ref # 13) | 411B0600 | 1 |
| AXLE REAR (Ref # 14) | 42031-013 | (1 |
| AXLE-REAR (Ref # 14) | 42031-033 | 1 |
| UNAVAILABLE IN PRICE BOOK (Ref # 15) | 313Z1600 | 2 |
| COLLAR REAR HUB R.H (Ref # 16) | 42032-008 | 1 |
| SLEEVE REAR AXLE (Ref # 17) | 42036-006 | 1 |
| COLLER RR AXLE SLEEVE (Ref # 18) | 42037-006 | 1 |
| NUT SLEEVE (Ref # 19) | 42045-006 | 1 |
| WASHER SLEEVE (Ref # 20) | 42046-009 | 1 |
| SPACER RR HUB BEARING (Ref # 21) | 42010-008 | 1 |
| OIL SEAL WTC35527 (Ref # 22) | 92052-006 | 1 |
| BEARING BALL #6205 (Ref # 23) | 601B6205 | 2 |
| "0" RING,60MM (Ref # 24) | 671B2560 | 1 |
| REAR SPROCKET 37T (Ref # 25) | 42041-028 | 1 |
| BOLT-REAR SPROCKET (Ref # 26) | 92003-087 | 4 |
| NUT,10MM (Ref # 27) | 314B1000 | 6 |
| WASHER SPROCKET LOCK (Ref # 28) | 92088-005 | 2 |
| COUPLING ASSY,RR HUB (Ref # 17~19,) | 42008-012 | 1 |

1967 Avenger PARTS LIST

REAR HUB/BRAKE

| ITEM NAME | PART NUMBER | QUANTITY |
|----------------------------------|-------------|----------|
| DAMPER REAR HUB SHOCK (Ref # 30) | 42014-008 | 4 |
| TORQUE LINK REAR BRK (Ref # 31) | 43007-010 | 1 |
| WASHER PLAIN 10MM (Ref # 32) | 411B1000 | 1 |
| WASHER SPRING 10MM (Ref # 33) | 461F1000 | 2 |
| PIN COTTER 2.0X20 (Ref # 34) | 550D2020 | 2 |
| BEARING BALL #6205Z (Ref # 35) | 601B6205Z | 1 |