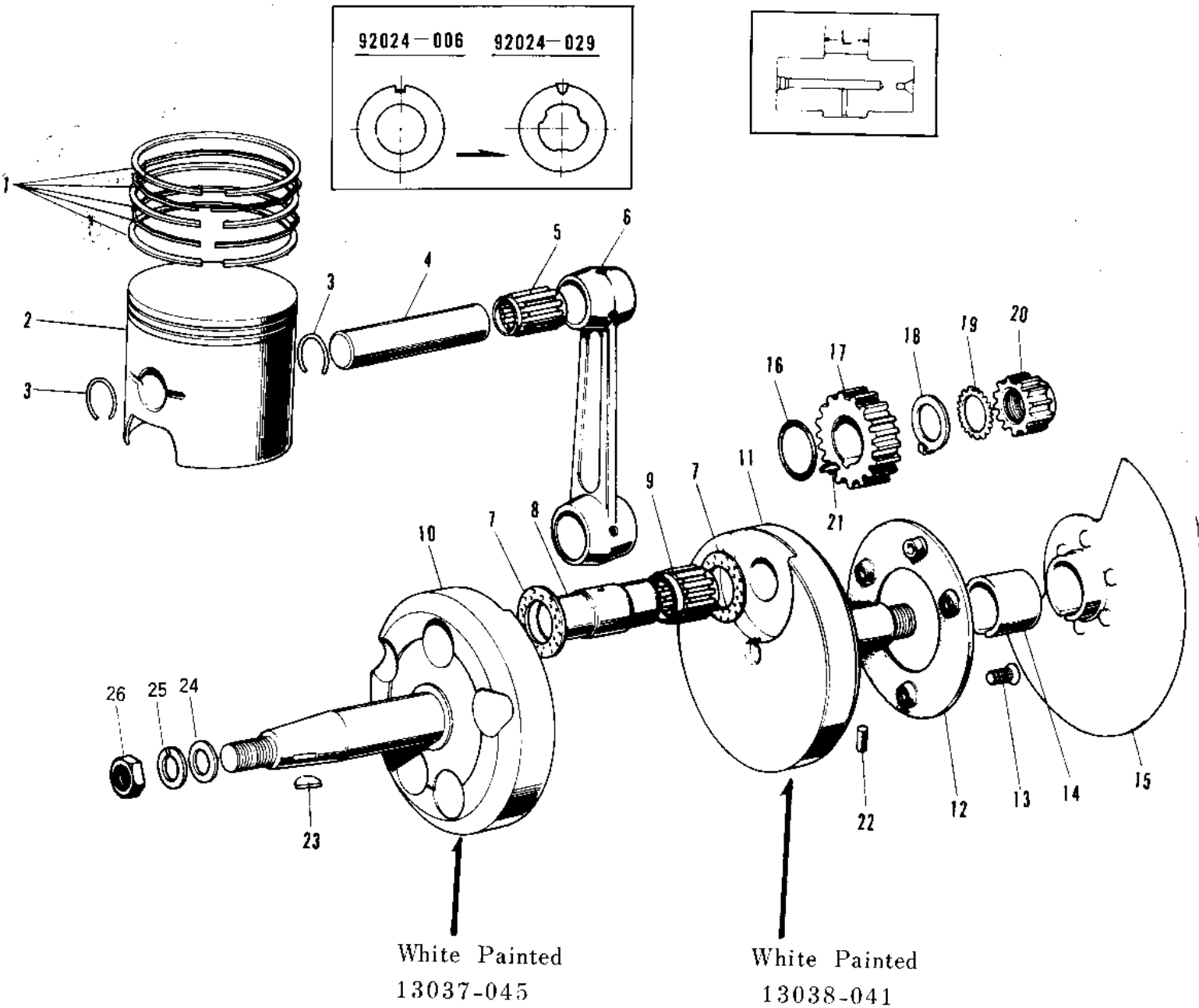


# 1970 Big Horn PARTS DIAGRAM

CRANKSHAFT/PISTON/ROTARY VALVE



# 1970 Big Horn PARTS LIST

## CRANKSHAFT/PISTON/ROTARY VALVE

ITEM NAME	PART NUMBER	QUANTITY
RING SET,STD (Ref # 1)	13008-024	1
PISTON,STD (Ref # 2)	13001-039	1
CIRCLIP-PISTON PIN (Ref # 3)	92036-015	2
PIN-PISTON (Ref # 4)	13002-016	1
BEARING-SMALL END (Ref # 5)	13033-1010	1
CONNECTING ROD SET (Ref # 6~9)	13044-009	1
CRANK&CONROD ASSY (Ref # 6~13)	13036-036	1
WASHER-PLAIN (Ref # 7)	92026-065	2
CRANK PIN (Ref # 8)	13035-021	1
NEEDLE BRG-BIG END (Ref # 9)	13034-032	1
CRANKSHAFT L.H (Ref # 10)	13037-035	1
CRANKSHAFT-R.H (Ref # 11)	13038-031	1
HOLDER-CRANKSHAFT OIL (Ref # 12)	13045-006	1
SCREW OVL CNTSNK 5X10 (Ref # 13)	92012-002	3
CALLAR-CRANKSHAFT (Ref # 14)	92027-097	1
VALVE-ROTARY DISC (Ref # 15)	12001-020	1
"0" RING,22MM (Ref # 16)	670B3022	1
GEAR,PRIMARY 22T (Ref # 17)	13097-1040	1
WASHER,LOCK,18MM (Ref # 18)	92024-067	(1
WASHER-LOCK,18MM (Ref # 18)	92024-029	1
WASHER-LOCK,18MM (Ref # 19)	464G1800	1
PINION-OIL PUMP (Ref # 20)	16084-011	1
WOODRUFF KEY (Ref # 21)	510A5100	1
PIN DOWEL 4X12 (Ref # 22)	610A0412	1
WOODRUFF KEY (Ref # 23)	92038-001	1
WASHER-PLAIN,14MM (Ref # 24)	92022-172	1
WASHER SPRING 14MM (Ref # 25)	461F1400	1
NUT 14MM (Ref # 26)	92015-043	1