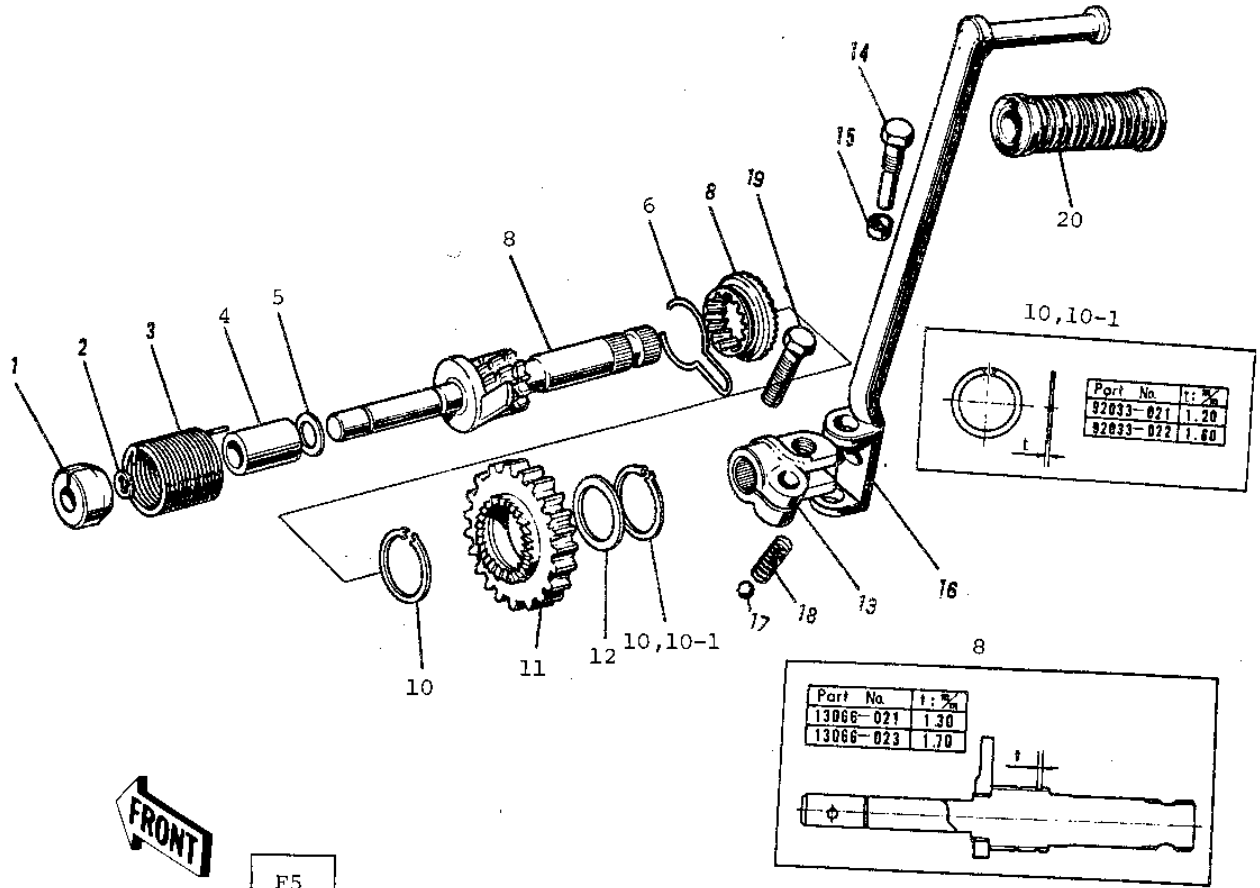


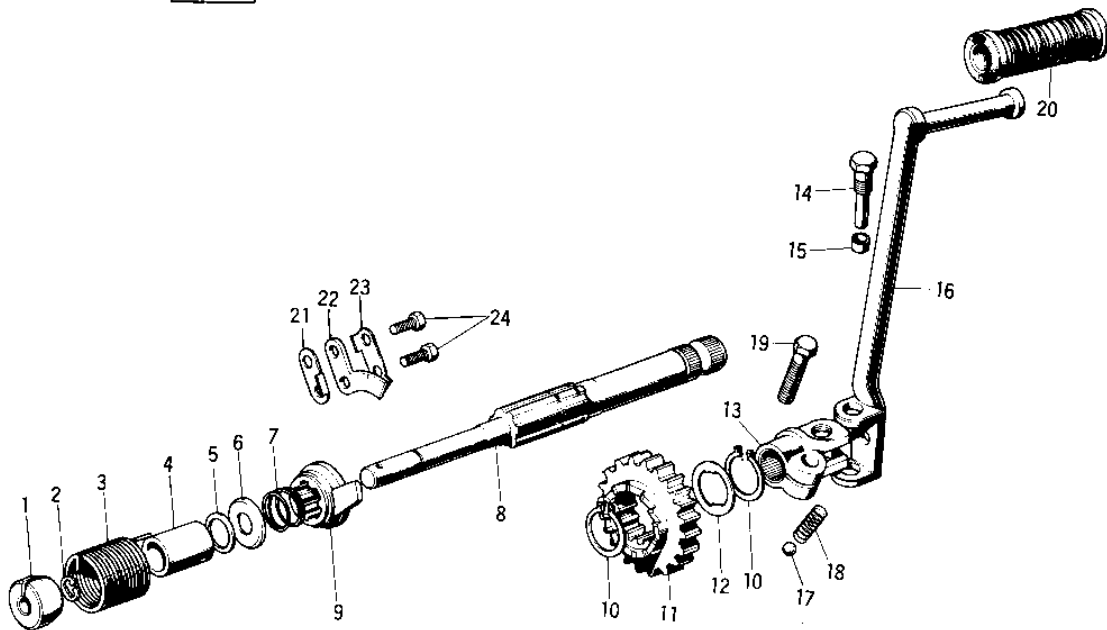
# 1971 F5-A PARTS DIAGRAM

## KICKSTARTER MECHANISM



**FRONT**

F5  
F5A



# 1971 F5-A PARTS LIST

## KICKSTARTER MECHANISM

ITEM NAME	PART NUMBER	QUANTITY
GUIDE KICK SPRING (Ref # 1)	13070-001	1
CIRCLIP 10MM (Ref # 2)	482J0100	1
SPRING KICKSTARTER (Ref # 3)	92082-002	1
COLLAR (Ref # 4)	92027-126	1
SHIM-KICK SHAFT,0.3T (Ref # 5)	92022-149	AR
SHIM-KICK SHAFT,0.5T (Ref # 5)	92022-150	AR
SHIM-KICK SHAFT,0.7T (Ref # 5)	92022-151	AR
HOLDER-KICK GEAR (Ref # 6)	13077-003	1
SPRING (Ref # 7)	92081-093	1
SHAFT-KICKSTARTER (Ref # 8)	13066-026	1
RATCHET (Ref # 9)	13078-004	1
CIRCLIP (Ref # 10-1)	92033-026	2
GEAR-KICKSTARTER (Ref # 11)	13068-022	1
WASHER-LOCK (Ref # 12)	92024-033	1
PEDAL-KICKSTARTER (Ref # 13-18)	13058-027	1
BOSS-KICK PEDAL (Ref # 13)	13061-008	1
BOLT-HEX HEAD,10MM (Ref # 14)	92001-085	1
COLLAR (Ref # 15)	92027-101	1
BALL STEEL 1/4' (Ref # 17)	600A0800	1
SPRING KICK PEDAL (Ref # 18)	92081-020	1
BOLT-HEX HEAD,10X25 (Ref # 19)	114B1025	1
RUBBER KICK PEDAL (Ref # 20)	13063-004	1
STOPPER-KICKSTARTER (Ref # 21)	13072-010	1
GUIDE-KICKSTARTER (Ref # 22)	13206-006	1
WASHER-KICK STOPPER (Ref # 23)	92031-006	1
BOLT-UPSET,6X16 (Ref # 24)	112G0616	2