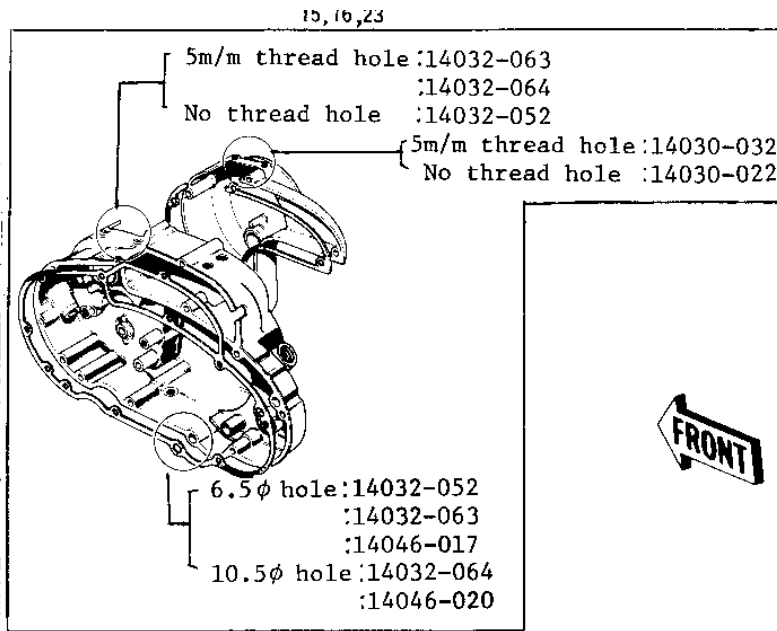
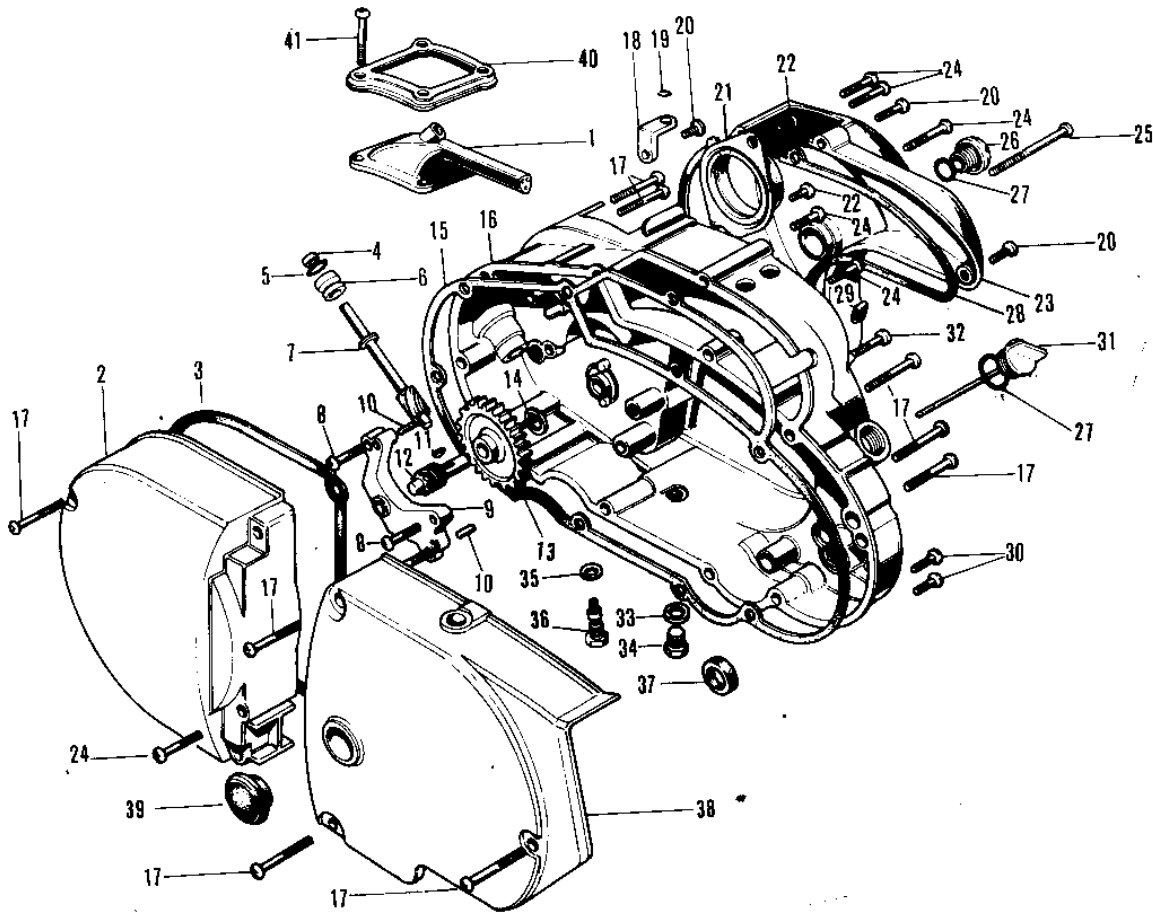


## 1970 Big Horn PARTS DIAGRAM

### ENGINE COVERS



**FRONT**



- Ref
- |   |   |
|---|---|
| 1 | 1 |
| 1 | 1 |
| 1 | 1 |
| 1 | 1 |
| 1 | 1 |
| 1 | 1 |
| 1 | 1 |
| 1 | 1 |
| 2 | 2 |
| 2 | 2 |
| 2 | 2 |
| 2 | 2 |
| 2 | 2 |
| 2 | 2 |
| 2 | 2 |
| 2 | 2 |
| 2 | 2 |
| 3 | 3 |
| 3 | 3 |
| 3 | 3 |
| 3 | 3 |
| 3 | 3 |
| 4 | 4 |
| 4 | 4 |
| 4 | 4 |
| 4 | 4 |
| 4 | 4 |

# 1970 Big Horn PARTS LIST

## ENGINE COVERS

ITEM NAME	PART NUMBER	QUANTITY
CAP,CARBURETOR (Ref # 1)	14038-034	1
COVER,L.H ENGINE,BUFF (Ref # 2)	14031-038-80	1
GASKET-L.H ENG COVER (Ref # 3)	14045-008	1
OIL SEAL (Ref # 4)	92054-004	1
"O" RING (Ref # 5)	92055-025	1
BUSH (Ref # 6)	92028-075	1
GEAR-TACHOMETER (Ref # 7)	13223-004	1
SCREW PAN HEAD 6X25 (Ref # 8)	220B0625	3
HOLDER-TACHOMETER GR (Ref # 9)	14018-004	1
PIN DOWEL 5X12 (Ref # 10)	610A0512	2
WOODRUFF KEY (Ref # 11)	510A3100	1
PINION-TACHOMETER (Ref # 12)	13224-006	1
GEAR-OIL PUMP (Ref # 13)	16085-014	1
WASHER THRUST (Ref # 14)	92026-025	1
GASKET-R.H-ENG.CVR (Ref # 15)	14046-020	1
COVER-R.H.ENGINE (Ref # 16)	14032-064	1
SCREW PAN HEAD 6X55 (Ref # 17)	220B0655	9
HOLDER-OIL PUMP CABLE (Ref # 18)	14044-005	1
CIRCLIP (Ref # 19)	92036-017	1
SCREW PAN HEAD 6X20 (Ref # 20)	220B0620	3
HOLDER-CARBURETOR (Ref # 21)	16065-005	1
SCREW PAN HEAD 6X12 (Ref # 22)	220B0612	2
COVER-CARBURETOR (Ref # 23)	14030-032	1
SCREW PAN HEAD 6X35 (Ref # 24)	220B0635	6
SCREW PAN HEAD 6X70 (Ref # 25)	220B0670	1
PLUG-CARBURETOR COVER (Ref # 26)	92067-006	1
"O" RING,20MM (Ref # 27)	670B2020	2
GASKET-CARBURETOR COV (Ref # 28)	14048-002	1
STOPPER-CARBURETOR (Ref # 29)	14064-001	1

# 1970 Big Horn PARTS LIST

## ENGINE COVERS

ITEM NAME	PART NUMBER	QUANTITY
SCREW PAN HEAD 6X30 (Ref # 30)	220B0630	2
PLUG-OIL FILLER (Ref # 31)	16115-017	1
SCREW PAN HEAD 6X35 (Ref # 32)	220B0635	1
SCREW PAN HEAD 6X55 (Ref # 32)	220B0655	1
GASKET CHECK VALVE (Ref # 33)	92065-058	1
PLUG OIL DRAIN (Ref # 34)	92067-001	1
GASKET OIL PIPE BANJO (Ref # 35)	92065-037	1
PLUG-FUEL DRAIN (Ref # 36)	92067-007	1
OIL SEAL SB20285 (Ref # 37)	92049-012	1
COVER,CHAIN-CASE (Ref # 38)	14026-005-E8	1
CAP-CLUTCH HOLE (Ref # 39)	14040-003	1