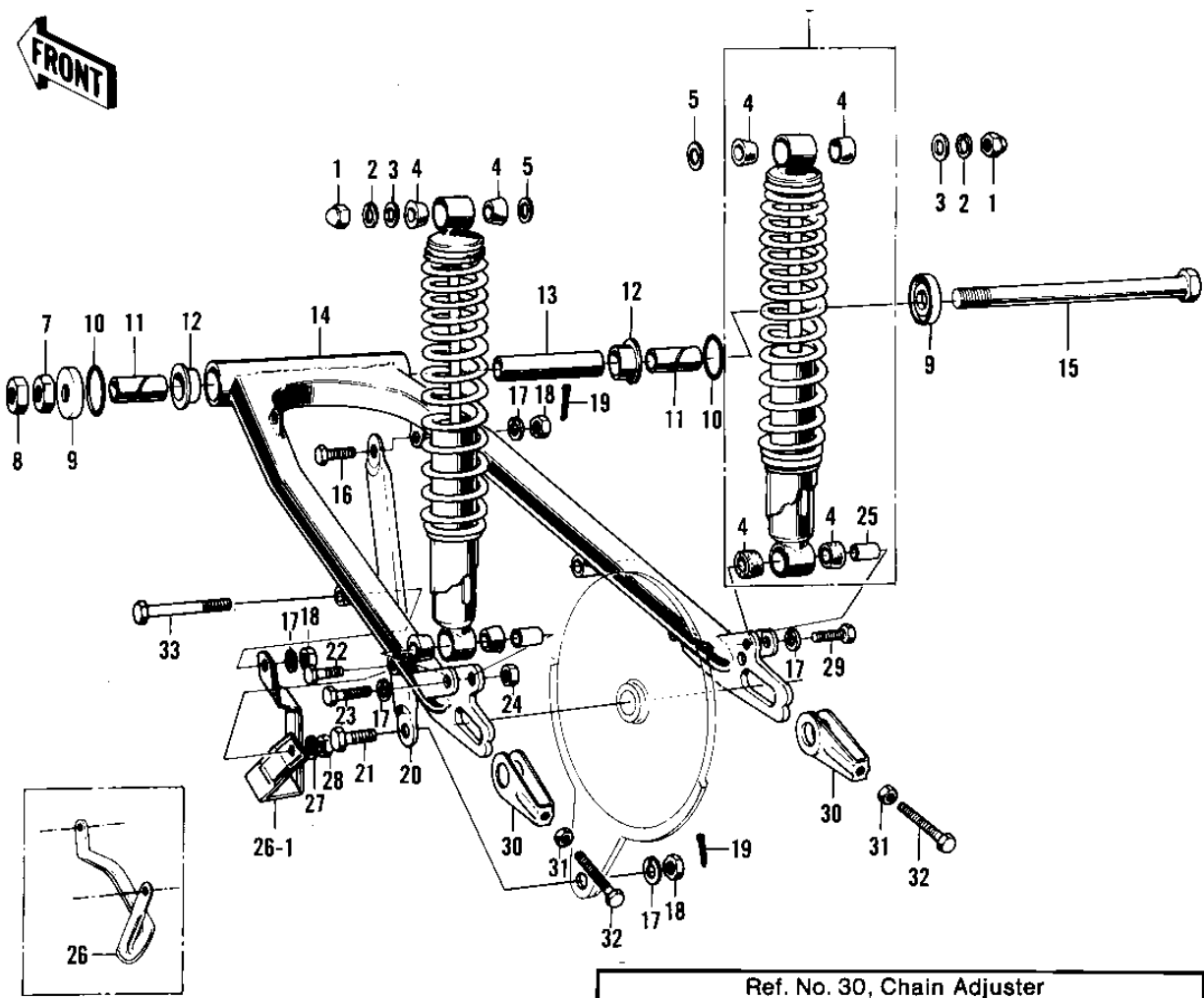
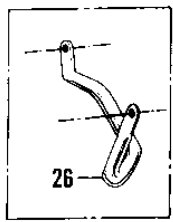


1971 F5-A PARTS DIAGRAM

SWING ARM/SHOCK ABSORBERS



Ref.



Ref. No. 30, Chain Adjuster		
	OLD	NEW
	1.6 mm 28 mm	2.3 mm 27.3 mm
Chain Adjuster	33040-033	33040-043
Collar	42032-020	42032-031
Frame No.	All F5	From F9
Interchange?	Use new parts as a set in place of old parts.	

NOTE: See Rear Hub page for Collar.

83a 27

84a-787

1971 F5-A PARTS LIST

SWING ARM/SHOCK ABSORBERS

ITEM NAME	PART NUMBER	QUANTITY
NUT SHOCK ABSORBER (Ref # 1)	92020-003	3
WASHER SPRING 10MM (Ref # 2)	461F1000	3
WASHER-PL-10.5X26X2.3 (Ref # 3)	92022-044	3
BUSH SHOCK ABSORBER (Ref # 4)	45017-003	3
BUSH-SHOCK ABSORBER (Ref # 4)	45017-005	3
WASHER PLAIN 12MM (Ref # 5)	410B1200	3
SHOCK ABSBR RR (Ref # 6)	45014-069	3
SHOCK ABSBR RR (Ref # 6)	45014-069	3
NUT,14MM (Ref # 7)	314B1400	3
NUT,14MM (Ref # 7)	314B1400	3
NUT 14MM (Ref # 8)	315B1400	3
CAP-SWING ARM (Ref # 9)	33035-004	3
"0" RING,30MM (Ref # 10)	671B2530	3
SLEEVE-SWING ARM,SHRT (Ref # 11)	33034-013	3
BUSHING-SWING ARM (Ref # 12)	33033-009	3
BUSHING-SWING ARM (Ref # 12)	33033-009	3
SLEEVE-SWING ARM,LONG (Ref # 13)	33034-012	3
ARM-SWING (Ref # 14)	33001-028	3
SHAFT-SWING ARM PIVOT (Ref # 15)	33032-025	3
BOLT TORQUE LINK FIT (Ref # 16)	92003-017	3
WASHER SPRING 10MM (Ref # 17)	461F1000	3
NUT,10MM (Ref # 18)	314B1000	3
NUT,10MM (Ref # 18)	314B1000	3
PIN COTTER 2.0X15 (Ref # 19)	550D2015	3
TORQUE LINK REAR BRK (Ref # 20)	43007-018	3
BOLT HEX HEAD 10X25 (Ref # 21)	92003-003	3
BOLT-HEX HEAD,6X32 (Ref # 22)	110N0632	3
BOLT HEX HEAD 10X45 (Ref # 23)	113N1045	3
NUT 10MM (Ref # 24)	315B1000	3

1971 F5-A PARTS LIST

SWING ARM/SHOCK ABSORBERS

ITEM NAME	PART NUMBER	QUANTITY
BUSH SHCK ABS PVT SFT (Ref # 25)	45016-003	3
GUARD-CHAIN (Ref # 26)	55020-004	3
GUARD-CHAIN (Ref # 26-1)	55020-009	3
WASHER SPRING 8MM (Ref # 27)	461F0800	3
NUT,8MM (Ref # 28)	311B0800	3
BOLT HEX HEAD 10X35 (Ref # 29)	113N1035	3
ADJUSTER CHAIN R.H (Ref # 30)	33040-033	3
ADJUSTER-CHAIN (Ref # 30)	33040-043	3
NUT 8MM (Ref # 31)	312B0800	3
BOLT,8X50 (Ref # 32)	92001-1399	3
BOLT,8X50 (Ref # 32)	92001-1399	3
BOLT,HEX HEAD,10X50 (Ref # 33)	92001-1254	3
BOLT,HEX HEAD,10X50 (Ref # 33)	92001-1254	3