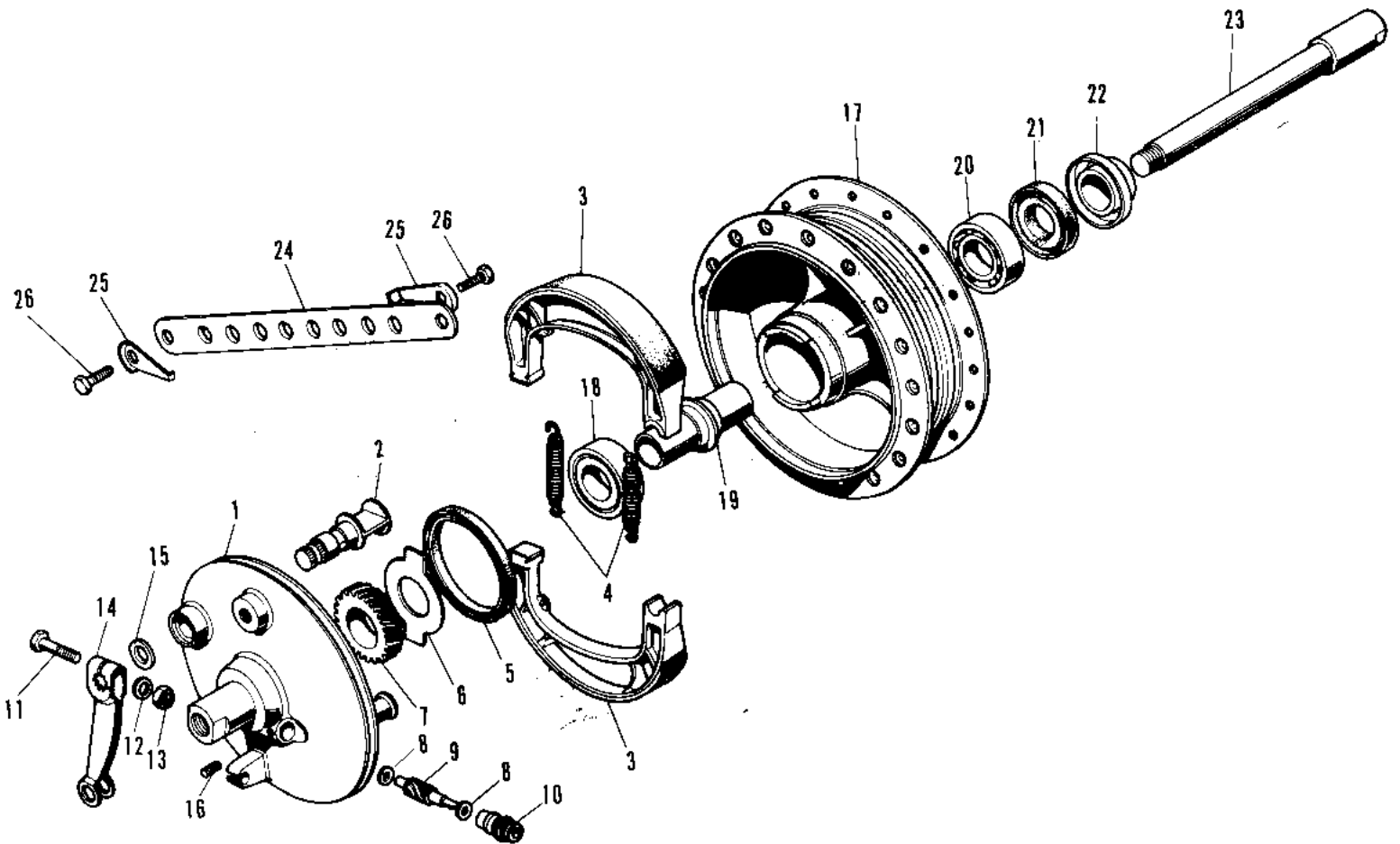


1970 Big Horn PARTS DIAGRAM

FRONT HUB/BRAKE



1970 Big Horn PARTS LIST

FRONT HUB/BRAKE

ITEM NAME	PART NUMBER	QUANTITY
PANEL-ASY,FR BRK (Ref # 1~16)	41035-024	1
PANEL-FRONT BRAKE (Ref # 1)	41043-025	1
CAM SHAFT,REAR BRAKE (Ref # 2)	42026-021	1
SHOE,BRAKE (Ref # 3)	42019-011	2
SPRING-BRAKE SHOE (Ref # 4)	42020-004	2
OIL SEAL F BRK PANEL (Ref # 5)	92050-010	1
RECIEVER GEAR (Ref # 6)	41064-003	1
GEAR-SPEEDOMETER (Ref # 7)	41059-011	1
WASHER THRST SPD PINI (Ref # 8)	41063-001	2
PINION-SPEEDOMETER (Ref # 9)	41060-010	1
BUSH SPEEDMETER CABLE (Ref # 10)	41062-001	1
BOLT HEX HEAD 6X38 (Ref # 11)	110B0638	1
BOLT-UPSET,6X40 (Ref # 11)	112G0640	AL
WASHER PLAIN 6MM (Ref # 12)	410B0600	1
NUT 6MM (Ref # 13)	311B0600	1
LEVER,REAR BRAKE CAM (Ref # 14)	42029-037	1
DUST SHIELD BRAKE CAM (Ref # 15)	41051-001	1
PIN,SPRING (Ref # 16)	41082-001	1
DRUM-ASSY,FR BRK,BUFF (Ref # 17~21)	41034-048-80	1
BEARING BALL #6202Z (Ref # 18)	601B6202Z	1
SPACER FR HUB BEARING (Ref # 18)	41039-004	1
BEARING BALL #6202 (Ref # 20)	601B6202	1
OIL SEAL RR BRK DRUM (Ref # 21)	92050-008	1
COLLAR FRONT HUB R.H (Ref # 22)	41069-004	1
AXLE-FRONT (Ref # 23)	41068-029	1
TORQUE LINK-FRNT BRK (Ref # 24)	43007-022	1
WASHER-LOCK (Ref # 25)	92088-012	2
BOLT-HEA HEAD,8X20 (Ref # 26)	92001-086	2