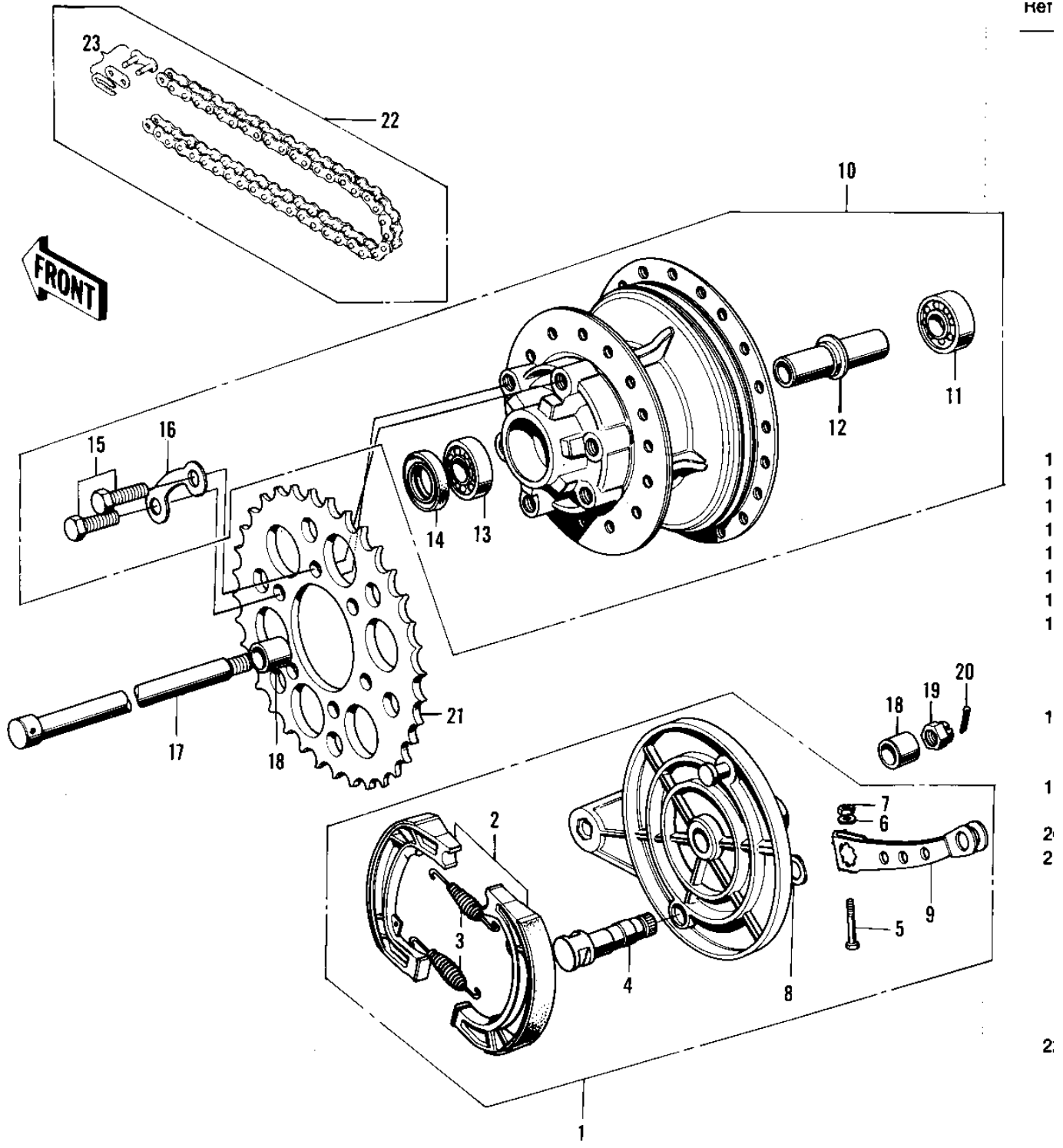


# 1971 F5-A PARTS DIAGRAM

## REAR HUB/BRAKE/CHAIN



2:  
\*3304

1005-106

# 1971 F5-A PARTS LIST

## REAR HUB/BRAKE/CHAIN

ITEM NAME	PART NUMBER	QUANTITY
PANEL-ASY,RR BRK,BLK (Ref # 1)	42006-016-21	2
PANEL-ASY,RR BRK,BLK (Ref # 1)	42006-016-21	2
.SHOE,BRAKE (Ref # 2)	42019-011	2
SHOE,BRAKE (Ref # 2)	42019-011	2
.SPRING-BRAKE SHOE (Ref # 3)	42020-004	2
.CAM SHAFT,REAR BRAKE (Ref # 4)	42026-021	2
CAM SHAFT,REAR BRAKE (Ref # 4)	42026-021	2
.BOLT-UPSET,6X40 (Ref # 5)	112G0640	2
.WASHER PLAIN 6MM (Ref # 6)	410B0600	2
.NUT 6MM (Ref # 7)	311B0600	2
.DUST SHIELD BRAKE CAM (Ref # 8)	41051-001	2
.LEVER,REAR BRAKE CAM (Ref # 9)	42029-037	2
LEVER,REAR BRAKE CAM (Ref # 9)	42029-037	2
DRUM ASSY-REAR BRAKE (Ref # 10)	42005-019	2
.BEARING BALL #6303Z (Ref # 11)	601B6303Z	2
.SPACER-RR HUB BEARING (Ref # 12)	42010-015	2
.BEARING BALL #6303 (Ref # 13)	601B6303	2
.OIL SEAL FRONT AXLE (Ref # 14)	654A254708	2
BOLT-HEX HEAD,10X25 (Ref # 15)	92001-087	2
WASHER LOCK (Ref # 16)	92088-007	2
AXLE-REAR (Ref # 17)	42031-030	2
AXLE-REAR (Ref # 17)	42031-030	2
AXLE-REAR (Ref # 17)	42031-036	2
COLLAR-REAR AXLE (Ref # 18)	42032-020	2
COLLAR-REAR AXLE (Ref # 18)	42032-020	2
COLLAR-REAR AXLE (Ref # 18)	42032-031	2
COLLAR-REAR AXLE (Ref # 18)	42032-031	2
NUT CASTLE 16M/M (Ref # 19)	42045-014	2
NUT CASTLE 16M/M (Ref # 19)	42045-014	2

## 1971 F5-A PARTS LIST

### REAR HUB/BRAKE/CHAIN

ITEM NAME	PART NUMBER	QUANTITY
PIN-COTTER,4.0X35 (Ref # 20)	550D4035	2
REAR SPROCKET 41T (ALUMINUM) (Ref # 21)	42041-080	2
REAR SPROCKET,41T (STEEL) (Ref # 21)	42041-111	2
REAR SPROCKET,43T (ALUMINUM) (Ref # 21)	42041-089	2
REAR SPROCKET,43T (STEEL) (Ref # 21)	42041-112	2
REAR SPROCKET,45T (ALUMINUM) (Ref # 21)	42041-088	2
REAR SPROCKET,45T (STEEL) (Ref # 21)	42041-113	2
RR SPROCKET 47T (OPT) (ALUMINUM) (Ref # 21)	42041-090	2
REAR SPROCKET,47T (STEEL) (Ref # 21)	42041-114	2
DR CHAIN 525X92H (Ref # 22)	695X5292	2
DR CHAIN 525X92H (Ref # 22)	695X5292	2
UNAVAILABLE IN PRICE BOOK (Ref # 22)	695Z5294	2
CHAIN,525X94 SH (Ref # 22)	92057-029	2
CHAIN JOINT 525 (Ref # 23)	92058-006	2