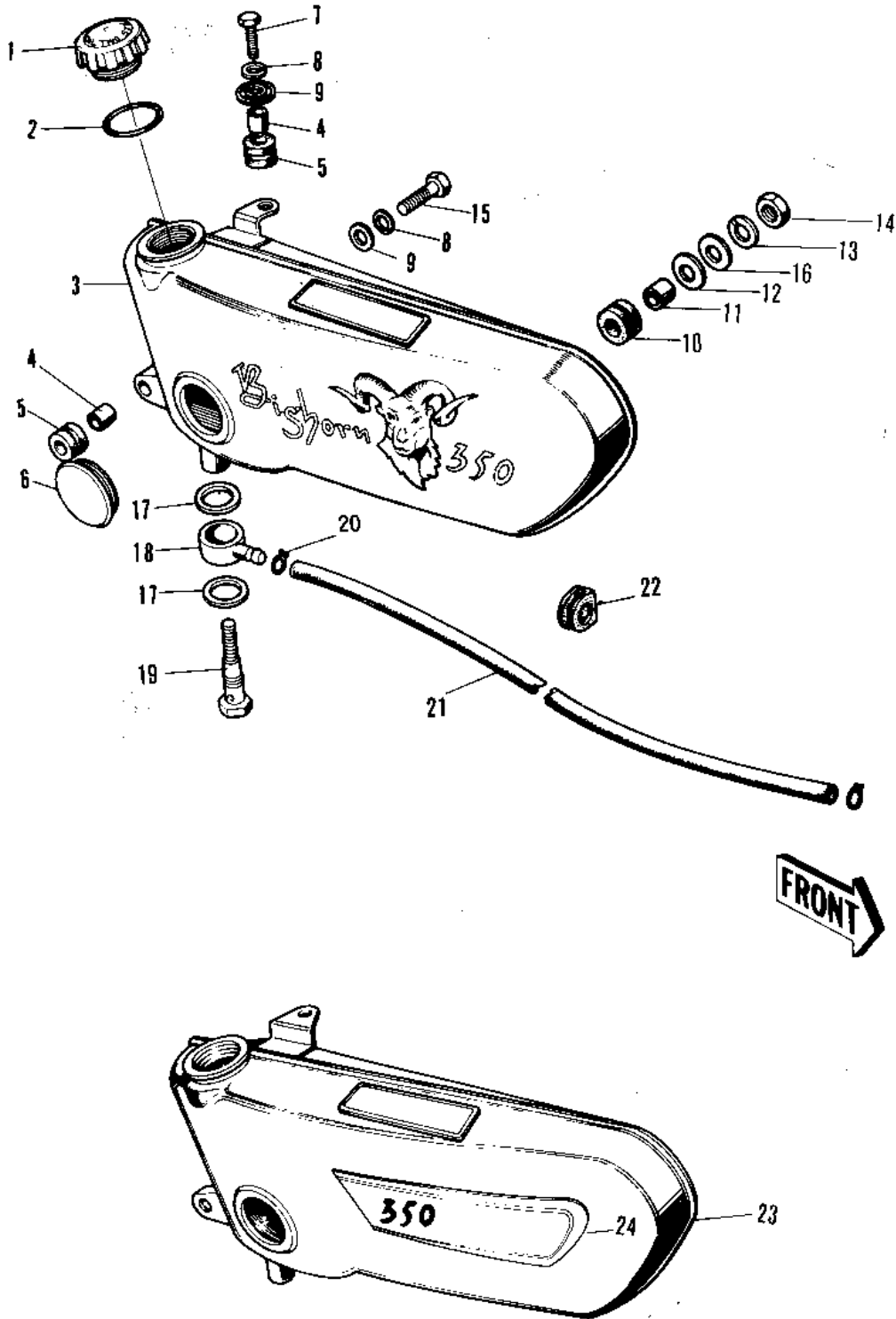


1971 F5-A PARTS DIAGRAM

OIL TANK

—
R



1971 F5-A PARTS LIST

OIL TANK

ITEM NAME	PART NUMBER	QUANTITY
CAP OIL TANK (Ref # 1)	52003-009	1
"0" RING,36MM (Ref # 2)	670B3036	1
COLLAR (Ref # 4)	92027-103	2
DAMPER RUBBER (Ref # 5)	92075-051	2
GAUGE OIL LEVEL (Ref # 6)	52015-001	1
BOLT-UPSET (Ref # 7)	112G0625	1
WASHER SPRING 6MM (Ref # 8)	461F0600	2
WASHER 6.5X20X1.6T (Ref # 9)	92022-125	2
DAMPER RUBBER-MUFFLER (Ref # 10)	18063-005	1
COLLAR (Ref # 11)	92027-102	1
WASHER,8X26X2.3 (Ref # 12)	92022-1564	1
WASHER SPRING 8MM (Ref # 13)	461F0800	1
NUT,8MM (Ref # 14)	311B0800	1
BOLT-UPSET (Ref # 15)	112G0618	1
WASHER PLAIN 8MM (Ref # 16)	411B0800	1
GASKET,10,2X15X1.5T (Ref # 17)	11009-1146	2
CONNECTOR BANJO (Ref # 18)	92061-003	1
BOLT OIL TANK BANJO (Ref # 19)	92060-001	1
CLAMP FUEL PIPE (Ref # 20)	92037-010	2
PIPE (Ref # 21)	92059-064	1
GROMMET-OIL PIPE (Ref # 22)	92071-041	1