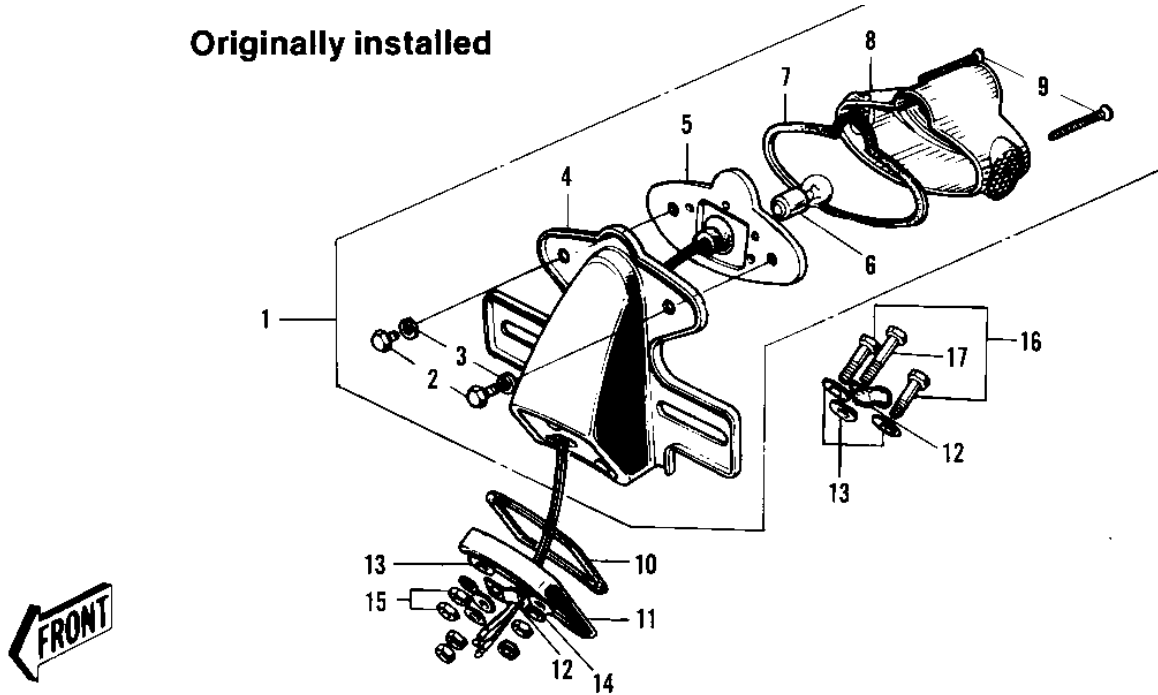


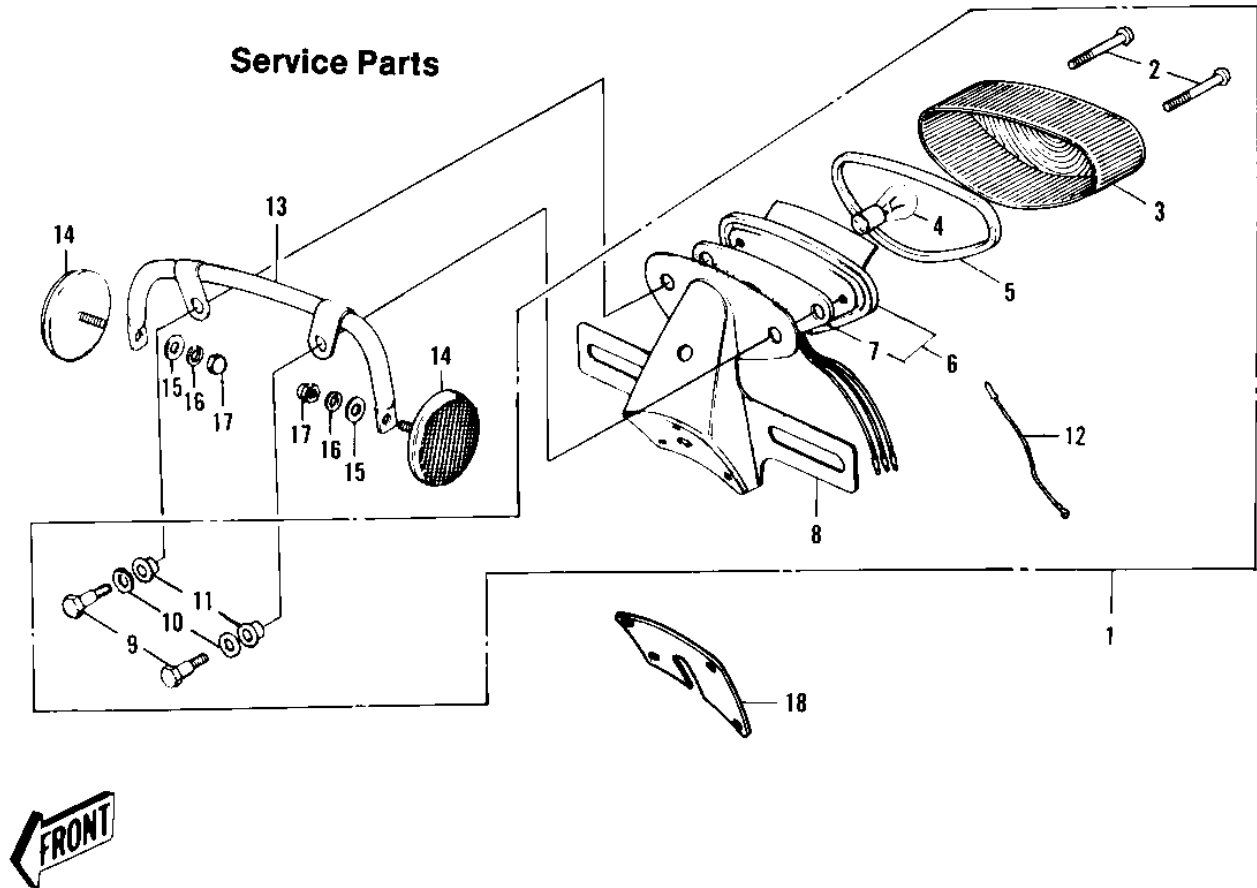
# 1971 F5-A PARTS DIAGRAM

TAILLIGHT

## Originally installed



## Service Parts



# 1971 F5-A PARTS LIST

## TAILLIGHT

ITEM NAME	PART NUMBER	QUANTITY
LAMP ASSY-TAIL,BLACK (Ref # 1)	23024-019-21	1
.BOLT HEX HEAD 5X10 (Ref # 2)	110N0510A	1
.WASHER SPRING 5MM (Ref # 3)	461F0500	1
.BKT LICENSE PLT BLACK (Ref # 4)	23036-007-10	1
.SOCKET TAIL LAMP (Ref # 5)	23027-009	1
.BULB 6V 3/21CP (Ref # 6)	92069-023	1
.GASKET TAIL LAMP (Ref # 7)	23028-008	1
.LENS TAIL LAMP (Ref # 8)	23026-010	1
.SCREW PAN HEAD 4X50 (Ref # 9)	220E0450	1
STAY-TAIL LAMP (Ref # 10)	35031-005	1
DAMPER RUBBER (Ref # 11)	35016-004	1
CLIP WIRING HARNESS (Ref # 12)	35024-002	1
WASHER 6.5X20X1.6T (Ref # 13)	92022-125	1
WASHER SPRING 6MM (Ref # 14)	461F0600	1
NUT 6MM (Ref # 15)	312B0600	1
BOLT-HEX HEAD,6X32 (Ref # 16)	110N0632	1
BOLT-UPSET,6X40 (Ref # 17)	112G0640	1
LAMP ASSY-TAIL,BLACK (Ref # 1)	23024-019-21	1
.SCREW (Ref # 2)	220R0455	1
SCREW (Ref # 2)	220R0455	1
.LENS-TAIL LAMP (Ref # 3)	23026-022	1
.BULB 6V 3/21CP (Ref # 4)	92069-023	1
.GASKET-TAIL LAMP LENS (Ref # 5)	23028-016	1
.CASE-TAIL LAMP (Ref # 6)	23027-029	1
.GASKET-TAIL LAMP CASE (Ref # 7)	23028-015	1
.BKT-LICENSE PLT,BLACK (Ref # 8)	23036-014-21	1
.BOLT (Ref # 9)	92001-111	1
.WASHER,8.5X20X1.6 (Ref # 10)	92022-1561	1
.DAMPER RUBBER (Ref # 11)	92075-091	1

# 1971 F5-A PARTS LIST

## TAILLIGHT

ITEM NAME	PART NUMBER	QUANTITY
.WIRE IGNITION LEAD (Ref # 12)	26011-014	1
BRACKET-REFLECTOR (Ref # 13)	28013-002	1
REFLECTOR-REFLEX,REAR (Ref # 14)	28012-008	1
WASHER PLAIN 5MM (Ref # 15)	411B0500	1
WASHER SPRING 5MM (Ref # 16)	461F0500	1
NUT-CAP,5MM (Ref # 17)	322N0500	1
DAMPER-TAIL LAMP SHCK (Ref # 18)	35039-005	1
DAMPER-TAIL LAMP SHCK (Ref # 18)	35039-005	1