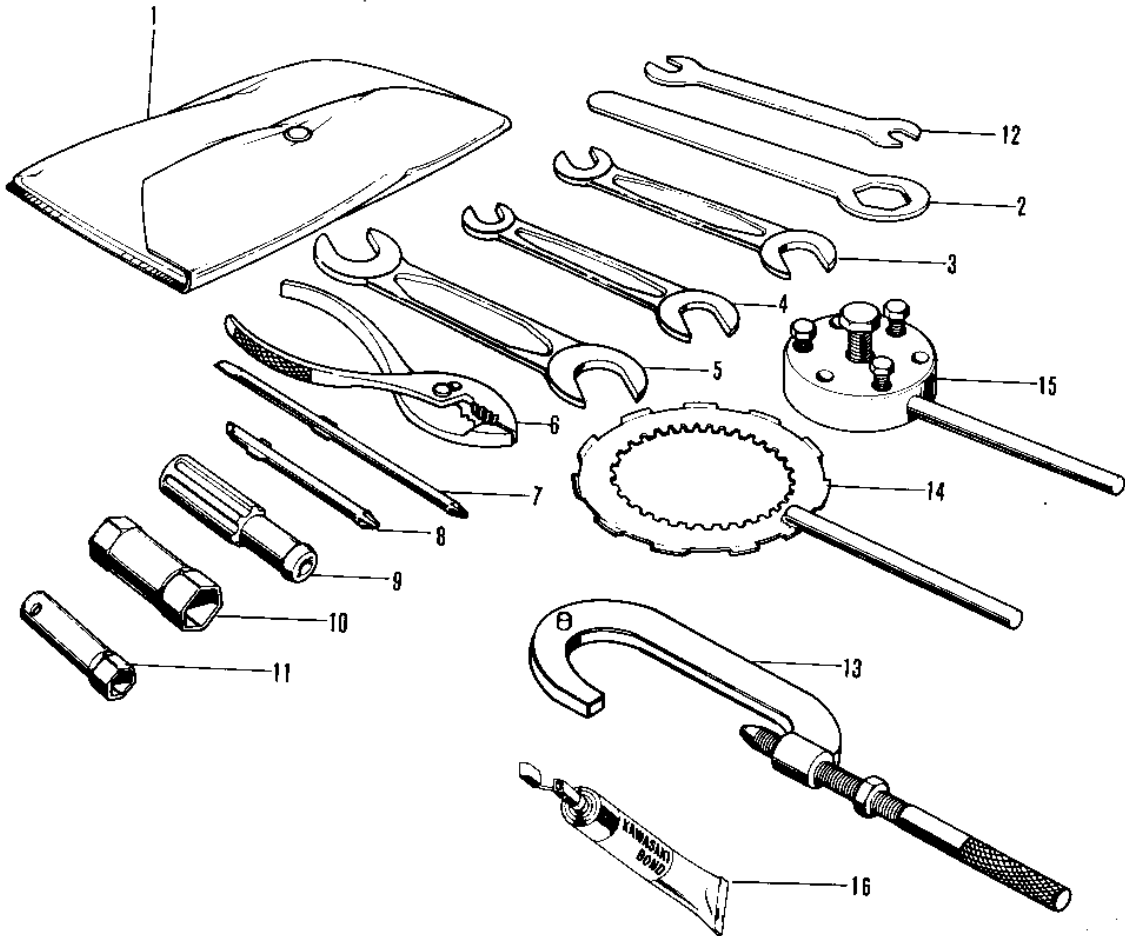


1971 F5-A PARTS DIAGRAM

OWNER TOOLS/SPECIAL SERVICE TOOLS

Re

1



1971 F5-A PARTS LIST

OWNER TOOLS/SPECIAL SERVICE TOOLS

ITEM NAME	PART NUMBER	QUANTITY
UNAVAILABLE IN PRICE BOOK (Ref # 1~12)	56007-020	1
BAG,TOOL (Ref # 1)	56008-008	1
92110-1150 (Canada) (Ref # 2)	92109-003	1
UNAVAILABLE IN PRICE BOOK (Ref # 3)	960B1013	1
*** N.L.A.*** (Canada) (Ref # 4)	960B1014	1
*** N.L.A.*** (Canada) (Ref # 5)	960B1719	1
92112-003 (Canada) (Ref # 6)	92112-001	1
TOOL-DRIVER (Ref # 7)	92107-1052	1
SCREW DRIVER #3 PHLIP (Ref # 8)	92107-005	1
92106-1001 (Canada) (Ref # 9)	92106-002	1
92110-012 (Canada) (Ref # 10)	92110-009	1
WRENCH BOX 10MM (Ref # 11)	92110-007	1
92108-011 (Canada) (Ref # 12)	92108-004	1
57001-1243 (Canada) (Ref # 13)	56019-040	1
57001-1243 (Canada) (Ref # 14)	56019-067	1
UNAVAILABLE IN PRICE BOOK (Ref # 15)	56019-068	1
LIQUID GASKET (Ref # 16)	92104-002	1