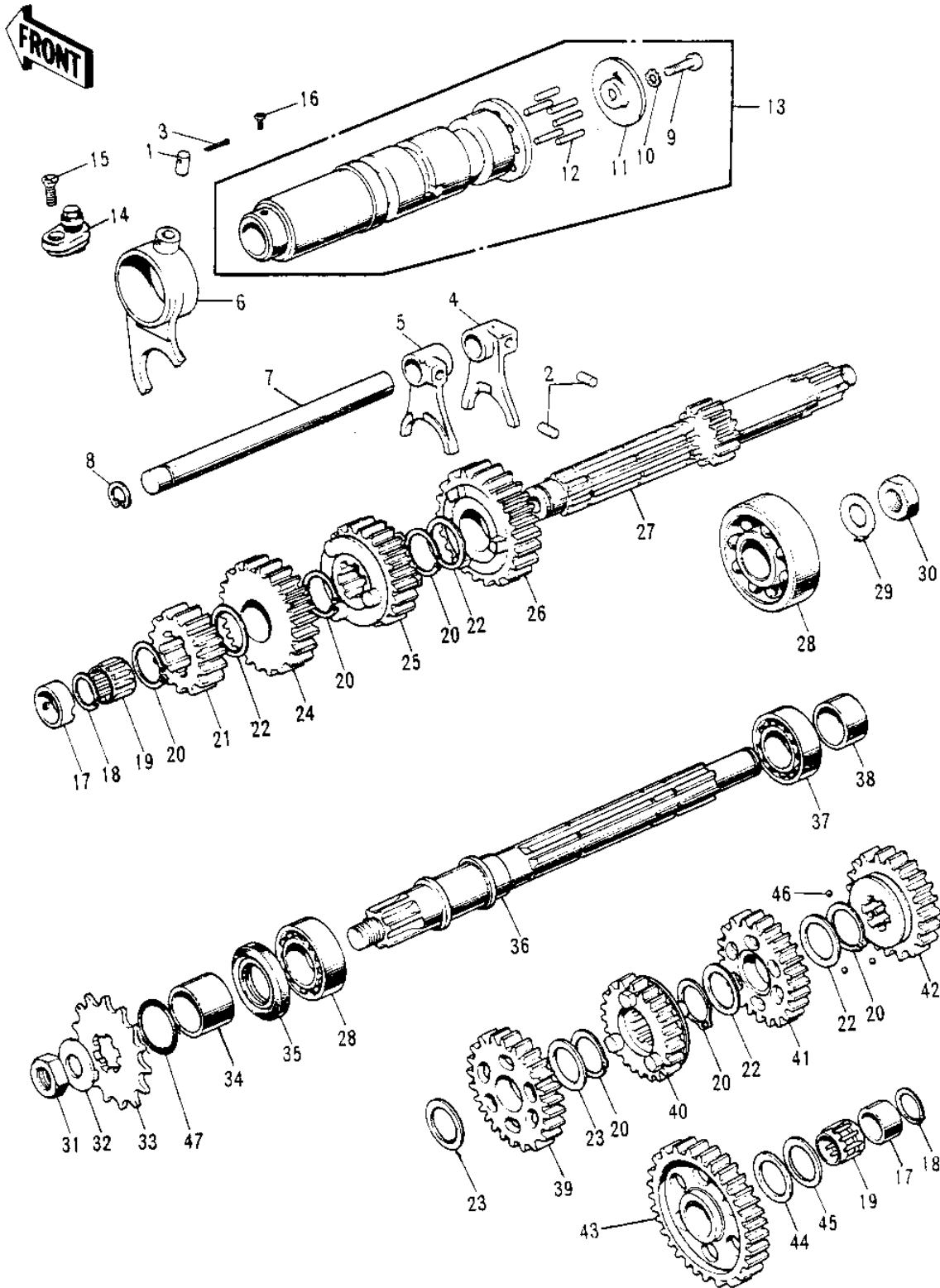


1972 Mach II PARTS DIAGRAM

TRANSMISSION/CHANGE DRUM

Re _____



1972 Mach II PARTS LIST

TRANSMISSION/CHANGE DRUM

ITEM NAME	PART NUMBER	QUANTITY
-----------	-------------	----------