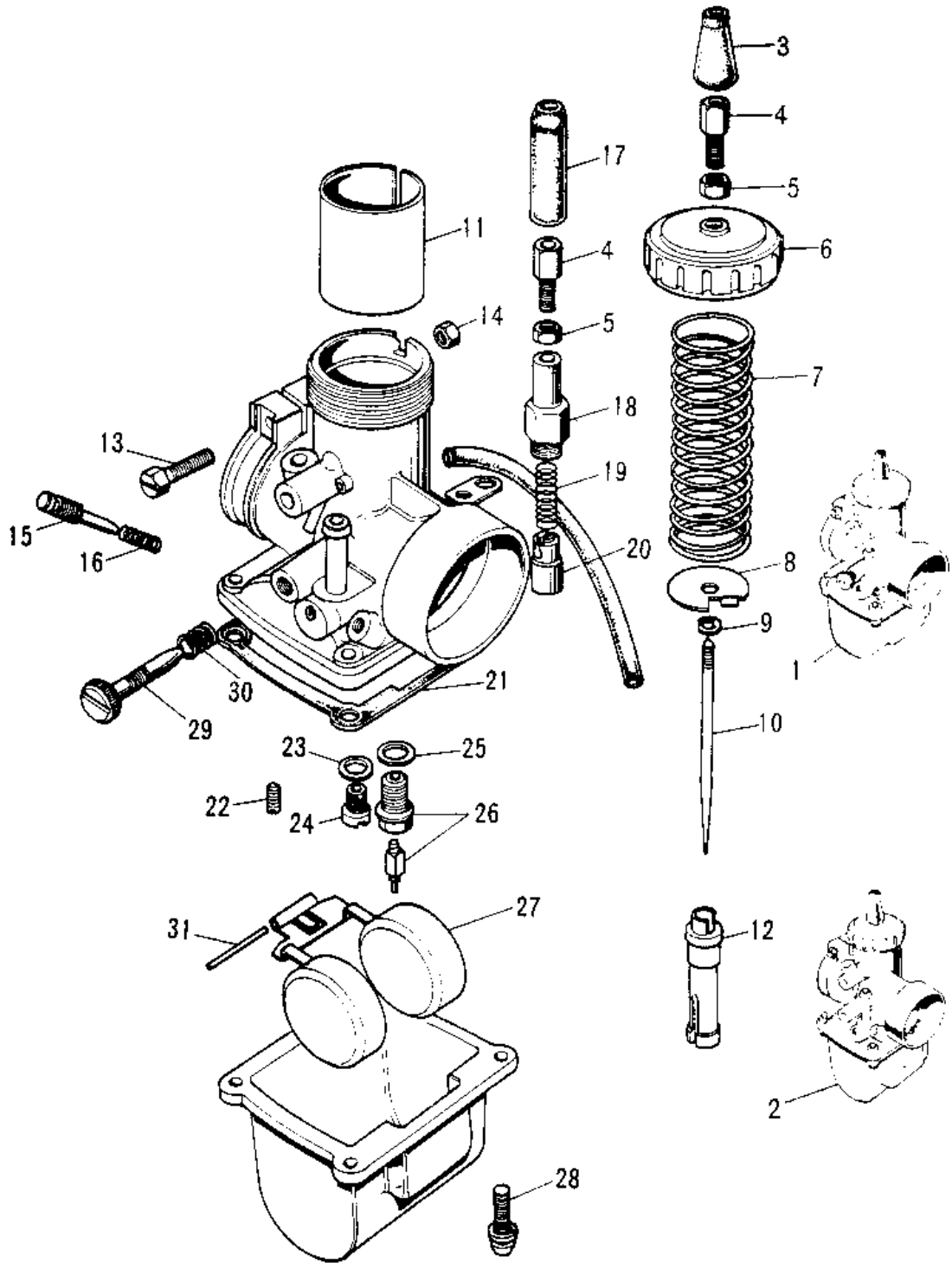


1973 Mach II PARTS DIAGRAM

CARBURETORS



1973 Mach II PARTS LIST

CARBURETORS

ITEM NAME	PART NUMBER	QUANTITY
CARBURETOR ASY,R.HDCN (Ref # 1)	16001-146	
CARBURETOR ASSY,L.H (Ref # 2)	16001-145	
CAP,CARBURETOR (Ref # 3)	16036-007	
ADJUSTER,CABLE (Ref # 4)	16002-017	
NUT CABLE ADJUST LOCK (Ref # 5)	16003-004	
CAP,MIXING CHAMBER (Ref # 6)	16004-025	
SPRING THROTTLE VALVE (Ref # 7)	16006-014	
SPRING SEAT,THRTL VL (Ref # 8)	16007-023	
CIRCLIP (Ref # 9)	16008-010	
JET NEEDLE 4EJ4 (Ref # 10)	16009-047	
VALVE-THROTTLE,CA2.0 (Ref # 11)	16025-043	
VALVE-THROTTLE,CA2.0 (Ref # 11)	16025-044	
NEEDLE JET O-2 (Ref # 12)	16017-054	
SCREW CLAMP (Ref # 13)	16010-004	
NUT 6MM (Ref # 14)	311B0600	
SCREW (Ref # 15)	16014-006	
SPRING-THR STOP SCREW (Ref # 16)	16022-007	
CAP CABLE ADJUST RUBB (Ref # 17)	16036-005	
CAP STARTER PLUNGER (Ref # 18)	16012-008	
SPRING-PLUNGER (Ref # 19)	16013-003	
PLUNGER-ENRICHNER (Ref # 20)	16016-002	
GASKET FLOAT CHAMBER (Ref # 21)	16019-013	
JET-PILOT NO 25 (Ref # 22)	92064-032	
WASHER MAIN JET (Ref # 23)	16034-001	
MAIN JET NO 85R (Ref # 24)	92063-093	
MAIN JET,#77.5R (Ref # 24)	92063-1032	
MAIN JET, #A80 (Ref # 24)	92063-1030	
MAIN JET NO 87.5R (Ref # 24)	92063-094	
MAIN JET,#A90R (Ref # 24)	92063-1029	

1973 Mach II PARTS LIST

CARBURETORS

ITEM NAME	PART NUMBER	QUANTITY
WASHER FLOAT VLV SEAT (Ref # 25)	16029-004	
FLOAT VALVE ASSY (Ref # 26)	16030-005	
FLOAT (Ref # 27)	16031-016	
SCREW FLOAT CHAMBER (Ref # 28)	16033-009	
SCREW-THROTTLE STOP (Ref # 29)	16021-013	
SPRING THR STOP SCREW (Ref # 30)	16022-005	
FLOAT PIN (Ref # 31)	16032-003	