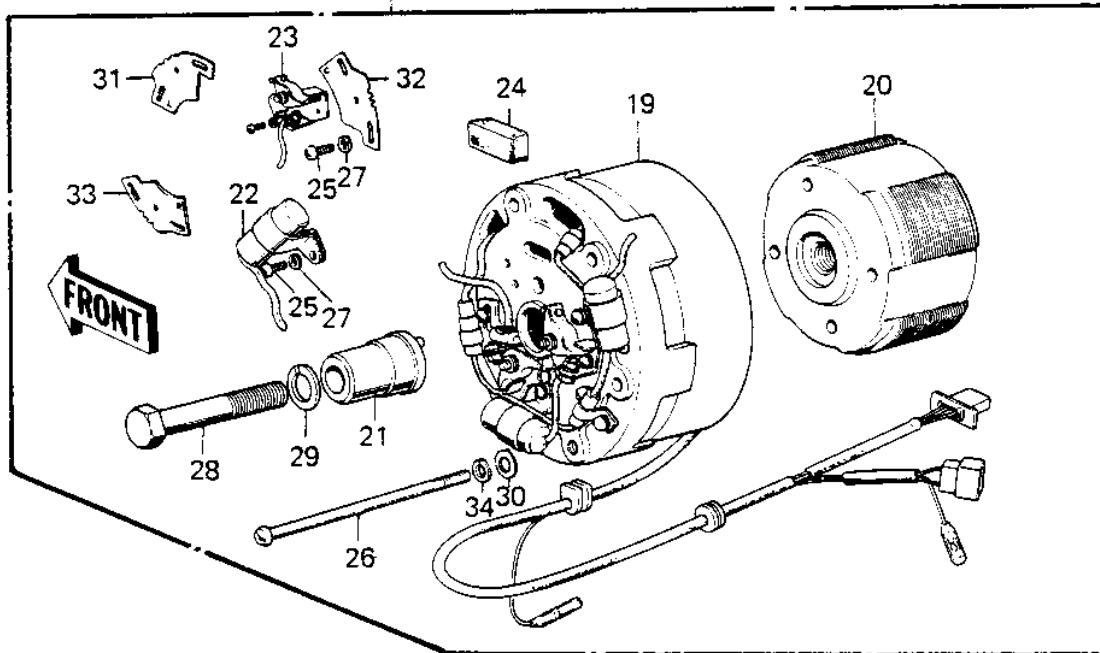
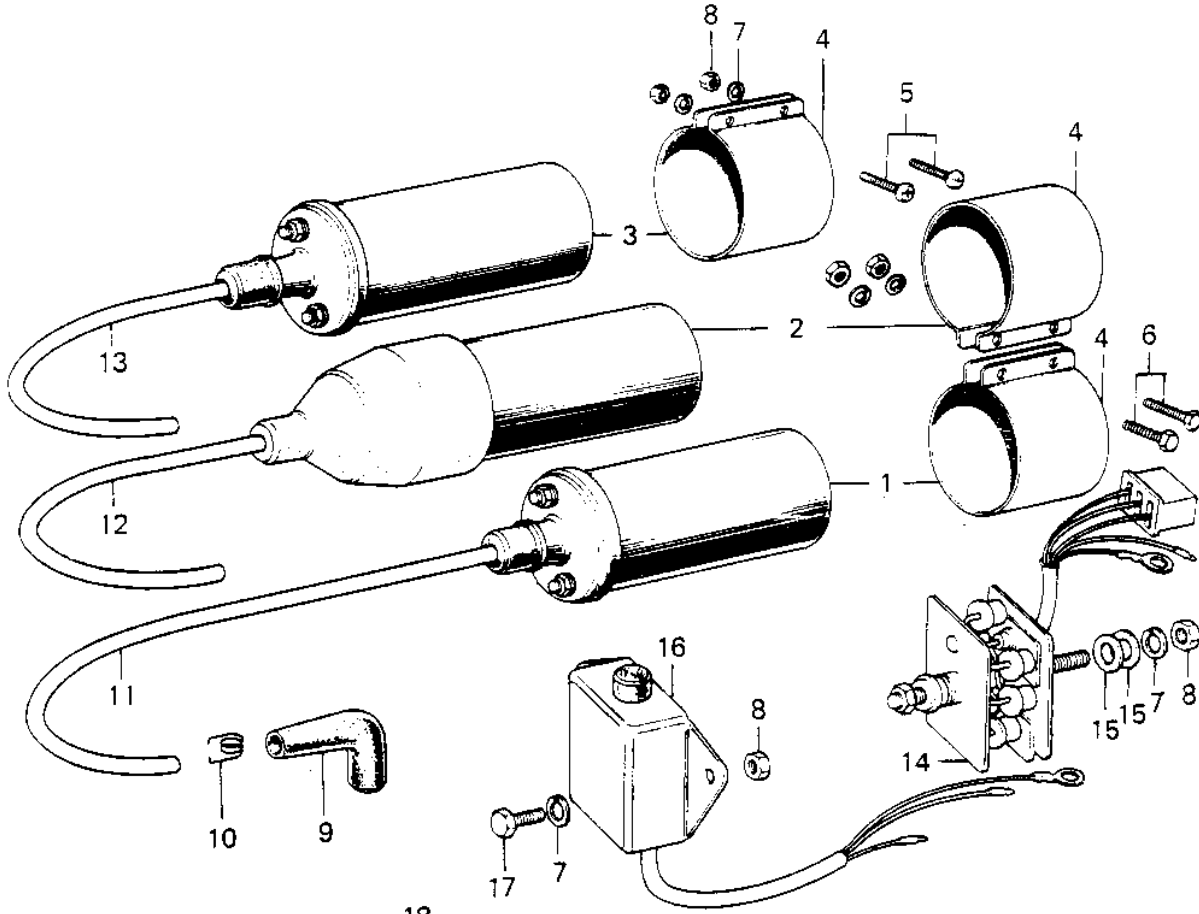


1972 Mach II PARTS DIAGRAM

IGNITION/GENERATOR/REGULATOR



1972 Mach II PARTS LIST

IGNITION/GENERATOR/REGULATOR

ITEM NAME	PART NUMBER	QUANTITY
COIL-IGNITION,L.H (Ref # 1)	21121-051	1
COIL-IGNITION,CENTER (Ref # 2)	21121-052	1
COIL-IGNITION,R.H (Ref # 3)	21121-053	1
BAND-IGNITION COIL (Ref # 4)	21126-004	3
SCREW PAN HEAD 6X40 (Ref # 5)	220B0640	2
BOLT-UPSET,6X16 (Ref # 6)	112G0616	2
WASHER SPRING 6MM (Ref # 7)	461F0600	7
NUT 6MM (Ref # 8)	311B0600	7
CAP SPARK PLUG (Ref # 9)	21130-009	3
SPRING-SPARK PLUG CAP (Ref # 10)	92101-001	3
CORD-HIGH TENSION,L.H (Ref # 11)	21133-020	1
CORD-HIGH TENSION,CNT (Ref # 12)	21133-021	1
CORD-HIGH TENSION,R.H (Ref # 13)	21133-022	1
RECTIFIER (Ref # 14)	21061-011	1
WASHER PLAIN 6MM (Ref # 15)	411B0600	4
REGULATOR,VOLTAGE (Ref # 16)	21066-020	1
REGULATOR,VOLTAGE (Ref # 16)	21066-020	1
BOLT-UPSET,6X12 (Ref # 17)	112G0612	1
ALTERNATOR (Ref # 18)	21001-019	1
ALTERNATOR (Ref # 18)	21001-022	1
STATOR ASSY (Ref # 19)	21003-015	1
STATOR ASSY (Ref # 19)	21003-016	1
ROTOR (Ref # 20)	21007-020	1
CAM (Ref # 21)	21014-008	1
CONDENSER (Ref # 22)	21013-026	3
BREAKER-CONTACT (Ref # 23)	21008-019	3
FELT-OIL (Ref # 24)	21019-011	2
SCREW PAN HEAD 4X8 (Ref # 25)	220B0408	12
SCREW PAN HEAD 5X80 (Ref # 26)	220E0580A	2

1972 Mach II PARTS LIST

IGNITION/GENERATOR/REGULATOR

ITEM NAME	PART NUMBER	QUANTITY
SCREW PAN HEAD 5X55 (Ref # 26)	220B0555A	3
WASHER SPRING 4MM (Ref # 27)	461F0400	12
BOLT HEX HEAD 8X70 (Ref # 28)	114B0870	1
WASHER SPRING 8MM (Ref # 29)	461F0800	1
WASHER PLAIN 5MM (Ref # 30)	411B0500	2
PLATE-CNTCT BRKER,L.H (Ref # 31)	21156-003	1
PLATE-CNTCT BRKER,CEN (Ref # 32)	21156-004	1
PLATE-CNTCT BRKER,R.H (Ref # 33)	21156-005	1
WASHER SPRING 5MM (Ref # 34)	461F0500	2