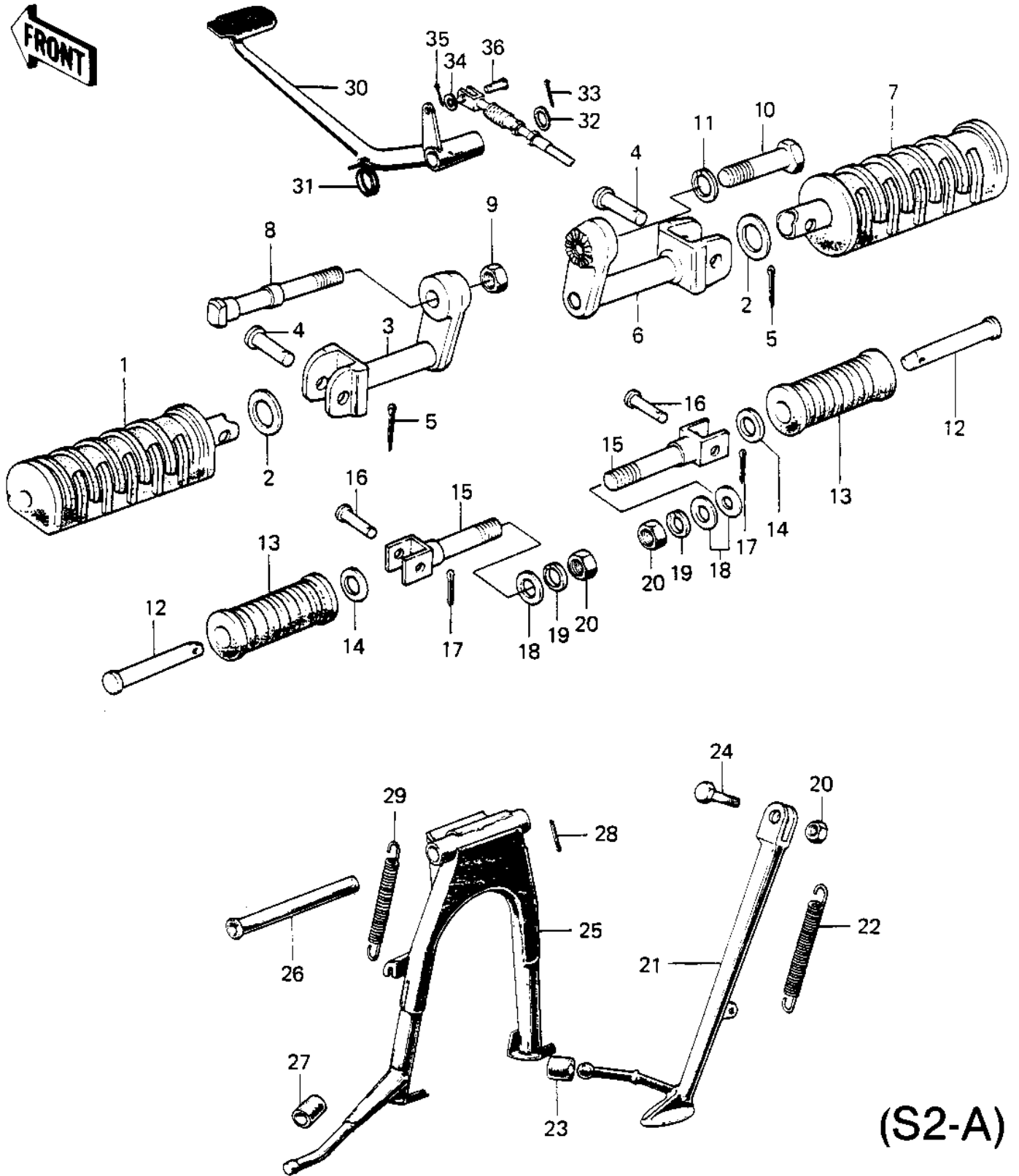


1972 Mach II PARTS DIAGRAM

FOOTRESTS/STANDS/BRAKE PEDAL (S2-A)



(S2-A)

1972 Mach II PARTS LIST

FOOTRESTS/STANDS/BRAKE PEDAL (S2-A)

ITEM NAME	PART NUMBER	QUANTITY
BAR-FOOTREST,L.H (Ref # 1)	34028-011	1
WASHER PL 22.5X36X2.3 (Ref # 2)	92022-204	2
HOLDER-FOTREST BAR LH (Ref # 3)	34003-040	1
PIN-FOOTREST BAR FIT (Ref # 4)	92043-080	2
PIN,COTTER,2.5X15 (Ref # 5)	550D2515	2
HOLDER-FOTREST BAR RH (Ref # 6)	34003-041	1
BAR-FOOTREST,R.H (Ref # 7)	34028-012	1
BOLT-L.H FOOTREST FIT (Ref # 8)	92003-076	1
NUT-HEX-FINE,12MM (Ref # 9)	315B1200	1
BOLT,R.H.FOOTREST FIT (Ref # 10)	92001-1068	1
WASHER SPRING 12MM (Ref # 11)	461F1200	1
BAR-RR FOOTREST (OPT) (Ref # 12)	34028-009	2
RUBBER,REAR FOOTREST (Ref # 13)	92076-024	2
RUBBER,REAR FOOTREST (Ref # 13)	92076-024	2
WASHER-PLAIN (OPT) (Ref # 14)	92022-199	2
HOLDER-STEP RR (Ref # 15)	34029-008	2
PIN (Ref # 16)	92043-1464	2
PIN,COTTER,2.0X12 (Ref # 17)	550D2012	2
WASHER PLAIN 10MM (Ref # 18)	410B1000	3
WASHER SPRING 10MM (Ref # 19)	461F1000	2
NUT,10MM (Ref # 20)	314B1000	3
STAND-SIDE (Ref # 21)	34024-051	1
STAND-SIDE (Ref # 21)	34024-051	1
SPRING MAIN STAND (Ref # 22)	34023-005	1
DAMPER RUBB SIDE STND (Ref # 23)	92075-031	1
BOLT,HEX HEAD 10X35 (Ref # 24)	92001-1252	1
STAND-MAIN (Ref # 25)	34011-028	1
SHAFT MAIN STAND (Ref # 26)	34019-011	1
DAMPER RUBB-MAIN STND (Ref # 27)	92075-115	1

1972 Mach II PARTS LIST

FOOTRESTS/STANDS/BRAKE PEDAL (S2-A)

ITEM NAME	PART NUMBER	QUANTITY
PIN COTTER 3.0X25 (Ref # 28)	550D3025	1
SPRING-MAIN STAND (Ref # 29)	34023-010	1
PEDAL,BRAKE (Ref # 30)	43001-060	1
SPRING,BRAKE PEDAL (Ref # 31)	43005-033	1
WASHER BRAKE PEDAL (Ref # 32)	92022-085	1
PIN COTTER 3.0X20 (Ref # 33)	550D3020	1
WASHER PLAIN 6MM (Ref # 34)	410B0600	1
PIN COTTER 2.0X15 (Ref # 35)	550D2015	1
PIN R BRK CABLE JOINT (Ref # 36)	92043-034	1