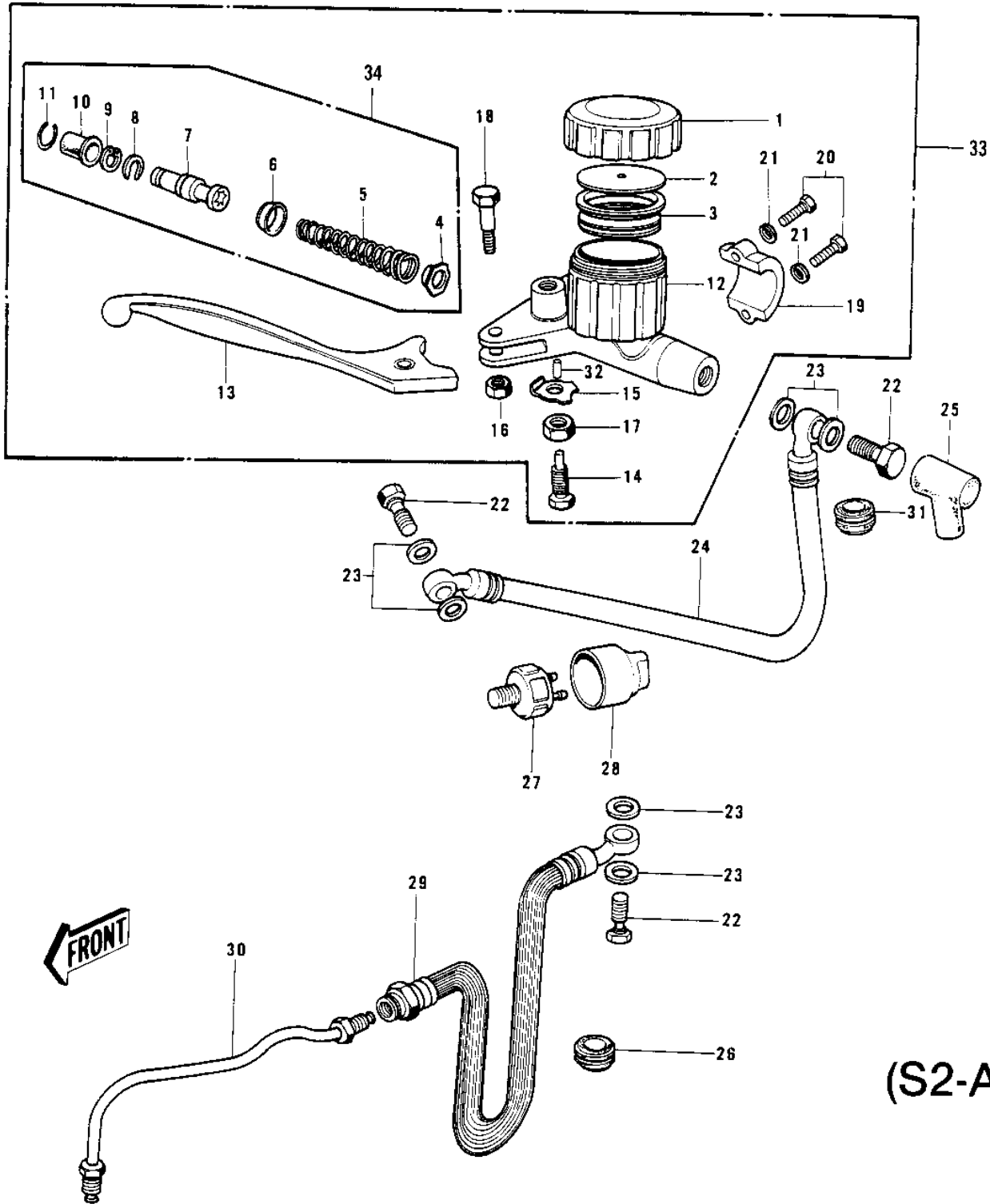


1972 Mach II PARTS DIAGRAM

FRONT MASTER CYLINDER (S2-A)



1972 Mach II PARTS LIST

FRONT MASTER CYLINDER (S2-A)

ITEM NAME	PART NUMBER	QUANTITY
CAP,OIL CUP (Ref # 1)	43026-003	1
PLATE-MASTER CYLINDER (Ref # 2)	43027-001	1
DIAPHRAGM (Ref # 3)	43028-001	1
VALVE ASSY-CHECK (Ref # 4)	43017-001	1
SPRING ASSY-RETURN (Ref # 5)	43018-001	1
CUP-PRIMARY (Ref # 6)	43019-001	1
PISTON ASSY (Ref # 7)	43072-001	1
STOPPER-PISTON (Ref # 8)	43022-001	1
CIRCLIP,18MM (Ref # 9)	481J1800	1
BOOTS (Ref # 10)	43024-001	1
STOPPER-BOOTS (Ref # 11)	43025-001	1
BODY, MASTER CYLINDER (Ref # 12)	43016-002	1
LEVER,FRONT BRAKE (Ref # 13)	43029-003	1
BOLT-LEVER ADJUST (Ref # 14)	43030-002	1
BOLT,LEVER ADJUSTING (Ref # 14)	43030-003	1
WASHER-LOCK,8MM (Ref # 15)	43031-001	1
NUT,6MM (Ref # 16)	312N0600	1
NUT,8MM (Ref # 17)	314N0800	1
BOLT-LEVER FITTING (Ref # 18)	43033-001	1
BOLT (Ref # 18)	43033-004	1
HOLDER-MASTER CYL (Ref # 19)	43034-001	1
BOLT HEX HEAD 6X25 (Ref # 20)	110N0625	2
WASHER PLAIN 6MM (Ref # 21)	410B0600	2
BOLT,OIL,L=23 (Ref # 22)	92002-1888	3
WASHER-OIL BOLT (Ref # 23)	43067-001	6
HOSE-FRONT BRAKE (Ref # 24)	43059-006	1
BOOT,DUST (Ref # 25)	49006-1041	1
GROMMET-HOSE BRACKET (Ref # 26)	43064-001	1
SWITCH-FRONT BRAKE (Ref # 27)	43065-001	1

1972 Mach II PARTS LIST

FRONT MASTER CYLINDER (S2-A)

ITEM NAME	PART NUMBER	QUANTITY
CAP,FRONT BRK SWITCH (Ref # 28)	11012-1037	1
HOSE-FRONT BRAKE (Ref # 29)	43059-008	1
PIPE-BRIDGE (Ref # 30)	43060-003	1
DAMPER RUBBER (Ref # 31)	43064-005	1
TUBE (Ref # 32)	43074-001	1
CYLINDER ASSY,MASTER (Ref # 33)	43015-032	1
CYLINDER ASSY,MASTER (Ref # 33)	43015-032	1
REPAIR SET-MASTER CYL (Ref # 34)	43073-001	1