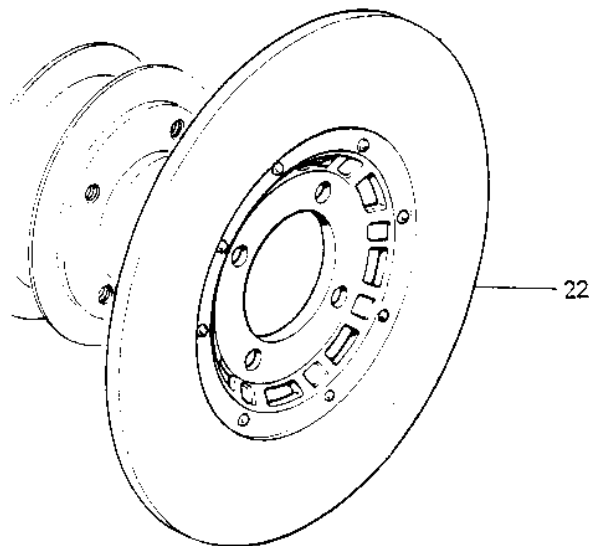
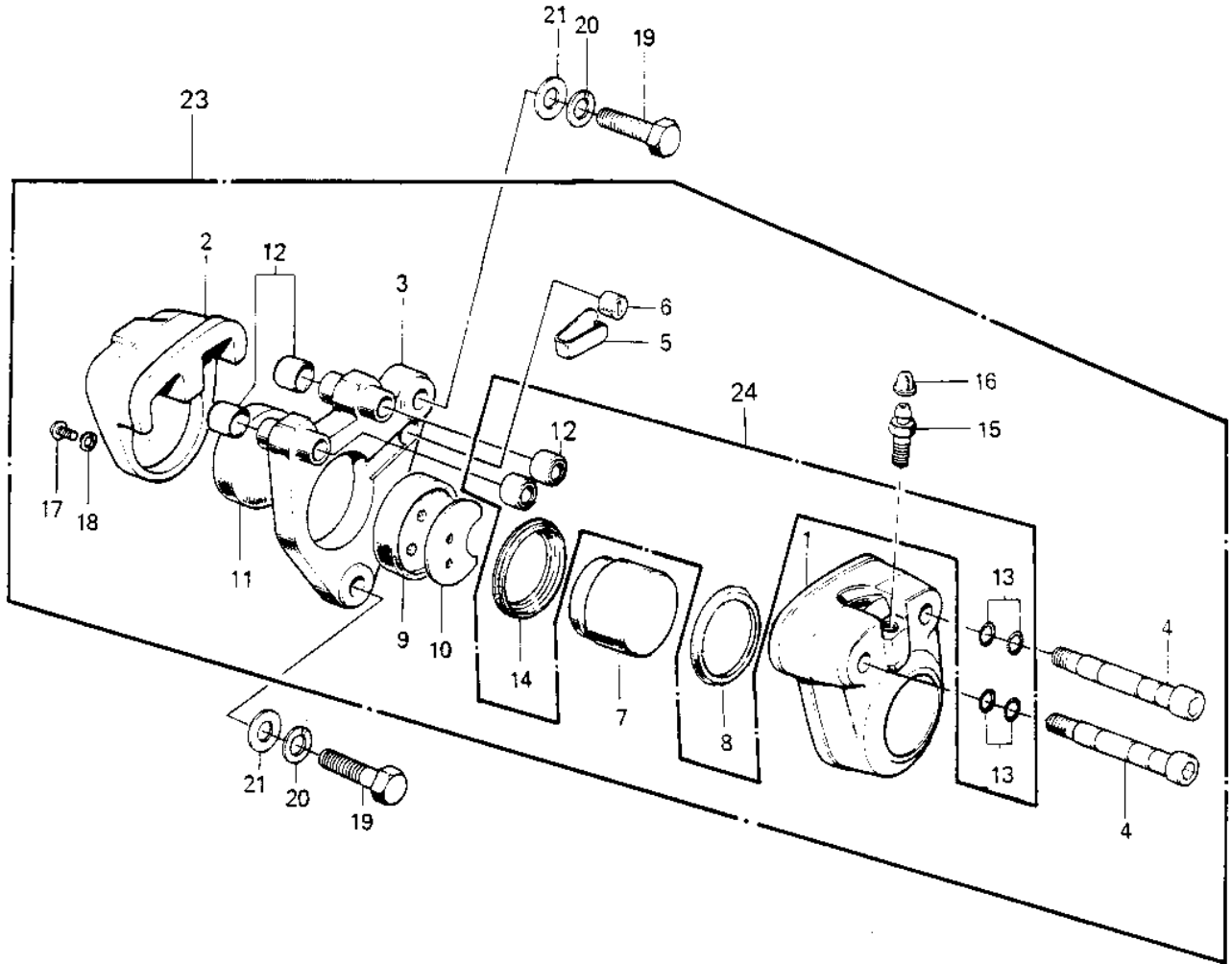


1973 Mach II PARTS DIAGRAM

FRONT BRAKE (S2-A)



(S2-A)



1973 Mach II PARTS LIST

FRONT BRAKE (S2-A)

ITEM NAME	PART NUMBER	QUANTITY
CALIPER A (Ref # 1)	43042-003	
CALIPER B (Ref # 2)	43043-002	
HOLDER-CALIPER (Ref # 3)	43044-003	
SHAFT (Ref # 4)	43045-002	
STOPPER-PAD A (Ref # 5)	43046-001	
BUSHING-RUBBER (Ref # 6)	43047-001	
PISTON-CALIPER (Ref # 7)	43048-001	
RING-PISTON (Ref # 8)	43049-001	
PAD A (Ref # 9)	43082-001	
PAD A (Ref # 9)	43082-001	
SHIM (Ref # 10)	43076-001	
PAD B (Ref # 11)	43051-001	
DUST SEAL-SHAFT (Ref # 12)	43052-002	
"0" RING,SHAFT (Ref # 13)	43053-001	
DUST SEAL-PISTON (Ref # 14)	43054-002	
BLEEDER (Ref # 15)	43056-002	
BLEEDER SET (Ref # 16)	43085-001	
SCREW,8X12 (Ref # 17)	220B0812	
WASHER SPRING 6MM (Ref # 18)	461F0600	
BOLT (Ref # 19)	92007-032	
WASHER SPRING 10MM (Ref # 20)	461F1000	
WASHER PLAIN 10MM (Ref # 21)	410B1000	
DISC PLATE,FRONT BRAK (Ref # 22)	41080-006	
CALIPER ASSY (Ref # 23)	43041-003	
REPAIR SET,CALLIPER (Ref # 24)	43073-003	