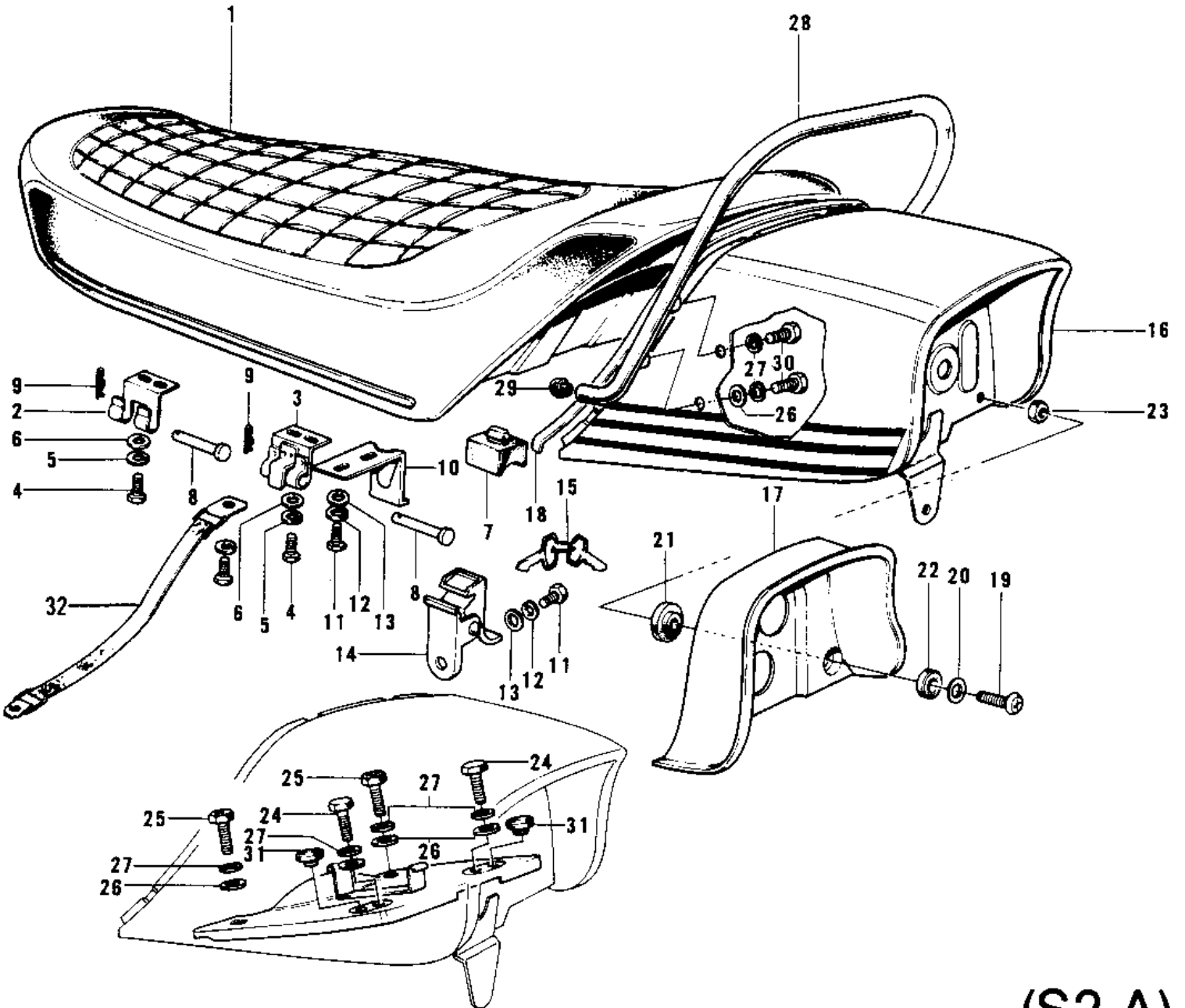


# 1972 Mach II PARTS DIAGRAM

SEAT/SEAT COVER (S2-A)

Re



(S2-A)

# 1972 Mach II PARTS LIST

## SEAT/SEAT COVER (S2-A)

ITEM NAME	PART NUMBER	QUANTITY
SEAT-ASSY,DUAL (Ref # 1)	53001-078	1
HINGE,BLACK (Ref # 2)	53009-017-10	1
HINGE-SEAT (Ref # 3)	53009-021	1
BOLT-UPSET 6X14 (Ref # 4)	112B0614	4
WASHER SPRING 6MM (Ref # 5)	461F0600	4
WASHER PLAIN 6MM (Ref # 6)	411B0600	4
DAMPER RUBBER-SEAT (Ref # 7)	92075-156	5
PIN (Ref # 8)	53011-002	2
COTTER PIN (Ref # 9)	92041-003	2
HOOK (Ref # 10)	53008-011	1
BOLT-UPSET 6X14 (Ref # 11)	112B0614	3
WASHER SPRING 6MM (Ref # 12)	461F0600	3
WASHER PLAIN 6MM (Ref # 13)	411B0600	3
HOOK ASSY (Ref # 14)	53045-003	1
KEY SET,#265 (Ref # 15)	27018-016-65	AR
KEY SET,#279 (Ref # 15)	27018-016-79	AR
BACK REST,C.ORANGE (Ref # 16)	53043-005-91	1
BACK REST,C.BLUE (Ref # 16)	53043-005-93	1
COVER-BACK REST (Ref # 17)	53057-001	1
MOLE-FRONT (Ref # 18)	53044-003	1
SCREW-PAN HEAD,6X30 (Ref # 19)	92011-030	4
WASHER-PLAIN,7MM (Ref # 20)	92022-240	4
DAMPER RUBBER (Ref # 21)	92075-169	4
DAMPER RUBBER (Ref # 22)	92075-168	4
NUT 6MM (Ref # 23)	311B0600	4
BOLT-SMALL-UPSET,8X16 (Ref # 24)	115G0816	2
BOLT-BACK REST FITT (Ref # 25)	92001-122	2
WASHER PLAIN 8MM (Ref # 26)	411B0800	6
WASHER SPRING 8MM (Ref # 27)	461F0800	8

# 1972 Mach II PARTS LIST

SEAT/SEAT COVER (S2-A)

ITEM NAME	PART NUMBER	QUANTITY
GRIP-SEAT (Ref # 28)	53042-005	1
PLUG-SEAT GRIP (Ref # 29)	32112-005	2
BOLT SMALL (Ref # 30)	114G0812	4
PLUG (Ref # 31)	92068-007	2
BAND-SEAT STOPPER (Ref # 32)	92072-038	1