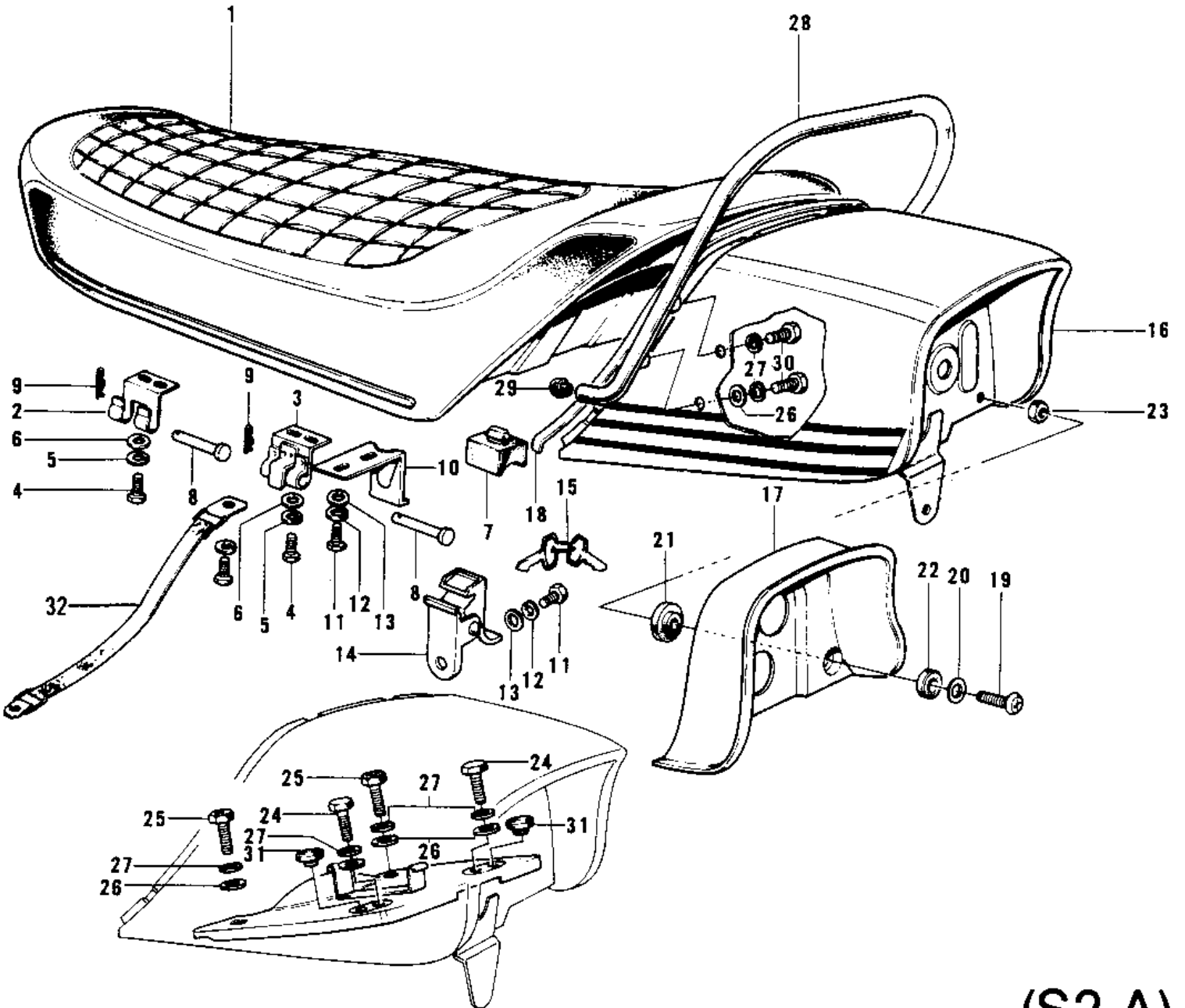


1973 Mach II PARTS DIAGRAM

SEAT/SEAT COVER (S2-A)

Re



(S2-A)

1973 Mach II PARTS LIST

SEAT/SEAT COVER (S2-A)

ITEM NAME	PART NUMBER	QUANTITY
SEAT-ASSY,DUAL (Ref # 1)	53001-078	
HINGE,BLACK (Ref # 2)	53009-017-10	
HINGE-SEAT (Ref # 3)	53009-021	
BOLT-UPSET 6X14 (Ref # 4)	112B0614	
WASHER SPRING 6MM (Ref # 5)	461F0600	
WASHER PLAIN 6MM (Ref # 6)	411B0600	
DAMPER RUBBER-SEAT (Ref # 7)	92075-156	
PIN (Ref # 8)	53011-002	
COTTER PIN (Ref # 9)	92041-003	
HOOK (Ref # 10)	53008-011	
BOLT-UPSET 6X14 (Ref # 11)	112B0614	
WASHER SPRING 6MM (Ref # 12)	461F0600	
WASHER PLAIN 6MM (Ref # 13)	411B0600	
HOOK ASSY (Ref # 14)	53045-003	
KEY SET,#265 (Ref # 15)	27018-016-65	
KEY SET,#279 (Ref # 15)	27018-016-79	
BACK REST,C.ORANGE (Ref # 16)	53043-005-91	
BACK REST,C.BLUE (Ref # 16)	53043-005-93	
COVER-BACK REST (Ref # 17)	53057-001	
MOLE-FRONT (Ref # 18)	53044-003	
SCREW-PAN HEAD,6X30 (Ref # 19)	92011-030	
WASHER-PLAIN,7MM (Ref # 20)	92022-240	
DAMPER RUBBER (Ref # 21)	92075-169	
DAMPER RUBBER (Ref # 22)	92075-168	
NUT 6MM (Ref # 23)	311B0600	
BOLT-SMALL-UPSET,8X16 (Ref # 24)	115G0816	
BOLT-BACK REST FITT (Ref # 25)	92001-122	
WASHER PLAIN 8MM (Ref # 26)	411B0800	
WASHER SPRING 8MM (Ref # 27)	461F0800	

1973 Mach II PARTS LIST

SEAT/SEAT COVER (S2-A)

ITEM NAME	PART NUMBER	QUANTITY
GRIP-SEAT (Ref # 28)	53042-005	
PLUG-SEAT GRIP (Ref # 29)	32112-005	
BOLT SMALL (Ref # 30)	114G0812	
PLUG (Ref # 31)	92068-007	
BAND-SEAT STOPPER (Ref # 32)	92072-038	