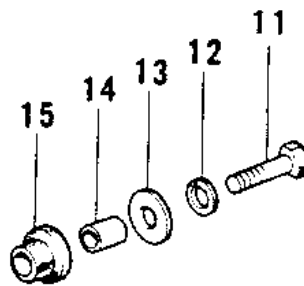
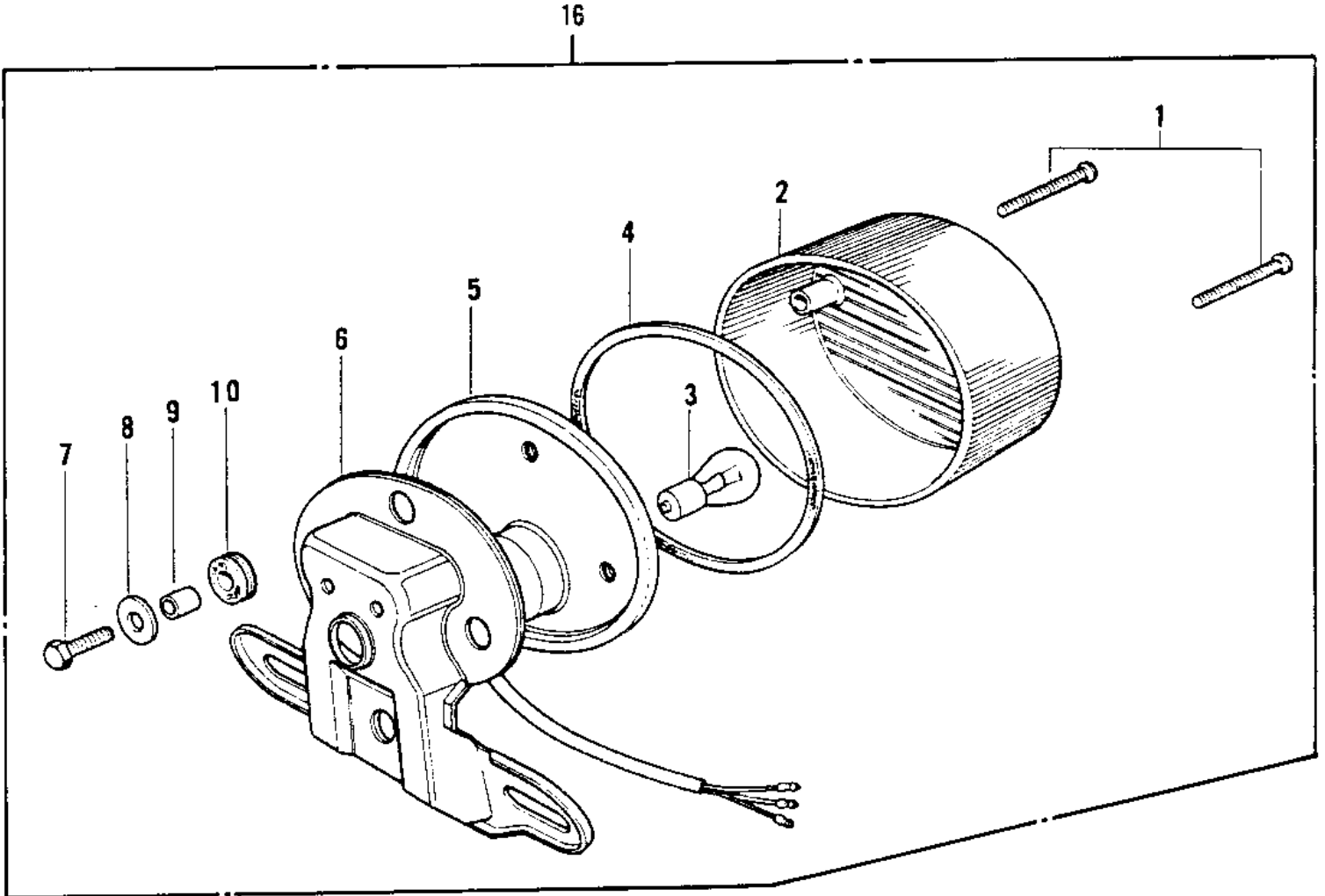


1972 Mach II PARTS DIAGRAM

TAILLIGHT (S2-A)



(S2-A)



1972 Mach II PARTS LIST

TAILLIGHT (S2-A)

ITEM NAME	PART NUMBER	QUANTITY
UNAVAILABLE IN PRICE BOOK (Ref # 1)	220E0435	2
LENS-TAIL LAMP (Ref # 2)	23026-023	1
BULB,12V 32/3CP (Ref # 3)	92069-059	1
GASKET-TAIL LAMP LENS (Ref # 4)	23028-018	1
CASE,TAIL LAMP (Ref # 5)	23027-030	1
BKT-LICENSE PLT,BLACK (Ref # 6)	23036-022-21	1
BOLT-UPSET,6X20 (Ref # 7)	112G0620	3
WASHER 6.5X20X1.6T (Ref # 8)	92022-125	3
COLLAR,6.8X10X8.5 (Ref # 9)	92027-129	3
DAMPER RUBBER (Ref # 10)	92075-076	3
BOLT 6X22 (Ref # 11)	112B0622	3
WASHER SPRING 6MM (Ref # 12)	461F0600	3
WASHER 6.5X20X1.6T (Ref # 13)	92022-125	3
COLLAR 6.8X10X10.5 (Ref # 14)	92027-120	3
DAMPER RUBBER (Ref # 15)	92075-112	3
LAMP ASSY-TAIL,BLACK (Ref # 16)	23024-026-21	1