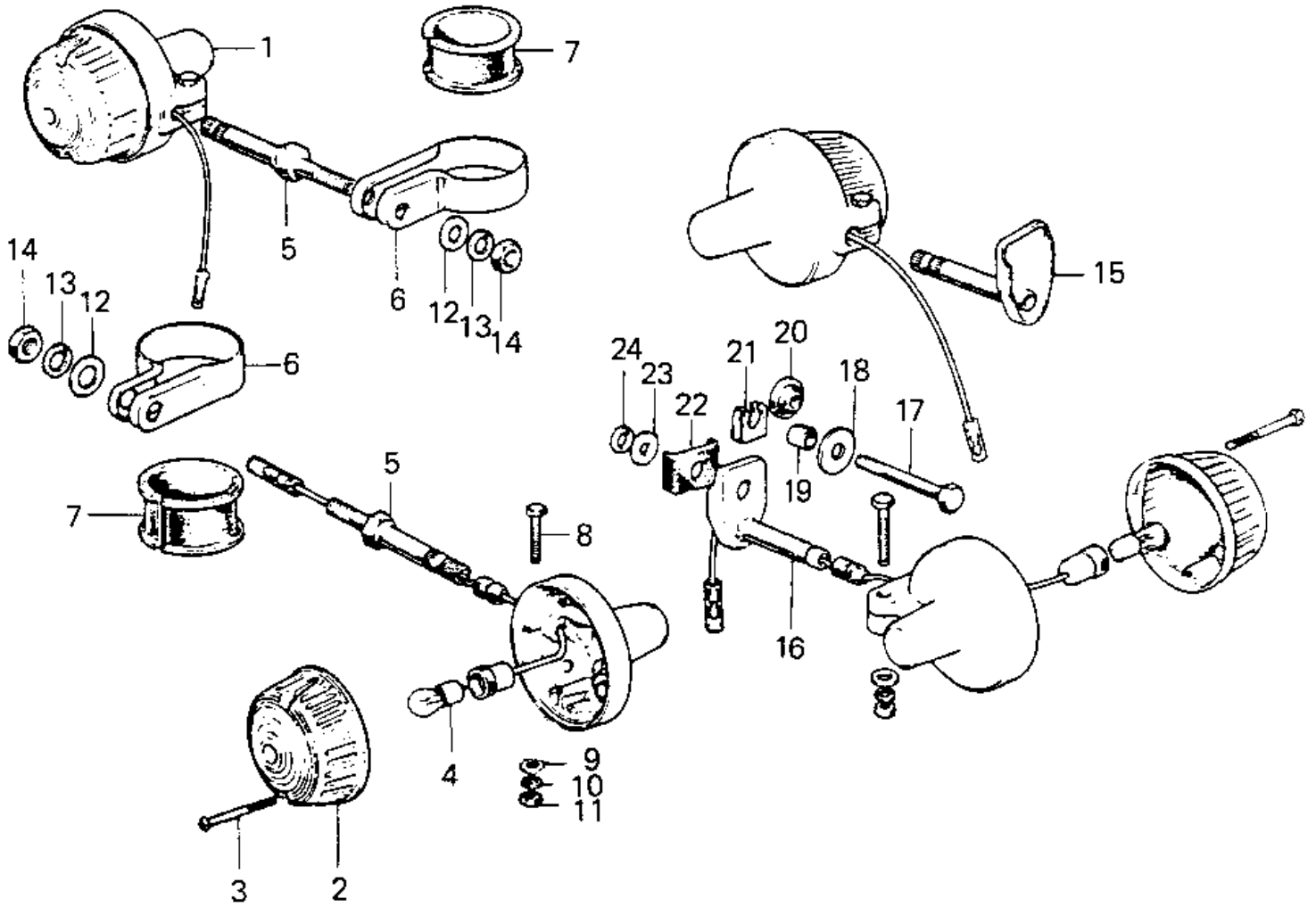


1973 Mach II PARTS DIAGRAM

TURN SIGNALS (S2)



(S2)



1973 Mach II PARTS LIST

TURN SIGNALS (S2)

ITEM NAME	PART NUMBER	QUANTITY
LAMP-TURN SIGNAL (Ref # 1)	23040-029	
LENS-SIGNAL LAMP (Ref # 2)	23048-1024	
LENS-SIGNAL LAMP (Ref # 2)	23048-1024	
SCREW-PAN HEAD,4X35 (Ref # 3)	220E0435A	
BULB 12V 32CP (Ref # 4)	92069-055	
BRACKET,TURN SIGNAL (Ref # 5)	23051-047	
BRACKET,TURN SIGNAL (Ref # 5)	23051-047	
BKT-FRT SIGNAL LAMP (Ref # 6)	23051-021	
DAMPER RUBBER-FR SGNL (Ref # 7)	92075-088	
BOLT-UPSET (Ref # 8)	112G0630	
WASHER PLAIN 6MM (Ref # 9)	410B0600	
WASHER SPRING 6MM (Ref # 10)	461F0600	
NUT 6MM (Ref # 11)	311B0600	
WASHER PLAIN 12MM (Ref # 12)	410B1200	
WASHER SPRING 12MM (Ref # 13)	461F1200	
NUT-HEX-FINE,12MM (Ref # 14)	315B1200	
BKT-RR SIGNL LAMP,R.H (Ref # 15)	23051-018	
BKT-RR SIGNL LAMP,L.H (Ref # 16)	23051-019	
BOLT-HEX HEAD,10X55 (Ref # 17)	113N1055	
WASHER-PLAIN (Ref # 18)	92022-206	
COLLAR (Ref # 19)	92027-137	
DAMPER RUBBER,A (Ref # 20)	92075-114	
PLATE-EARTH (Ref # 21)	23061-003	
DAMPER RUBBER B (Ref # 22)	92075-082	
WASHER,PLAIN,10MM (Ref # 23)	411B1000	
WASHER SPRING 10MM (Ref # 24)	461F1000	