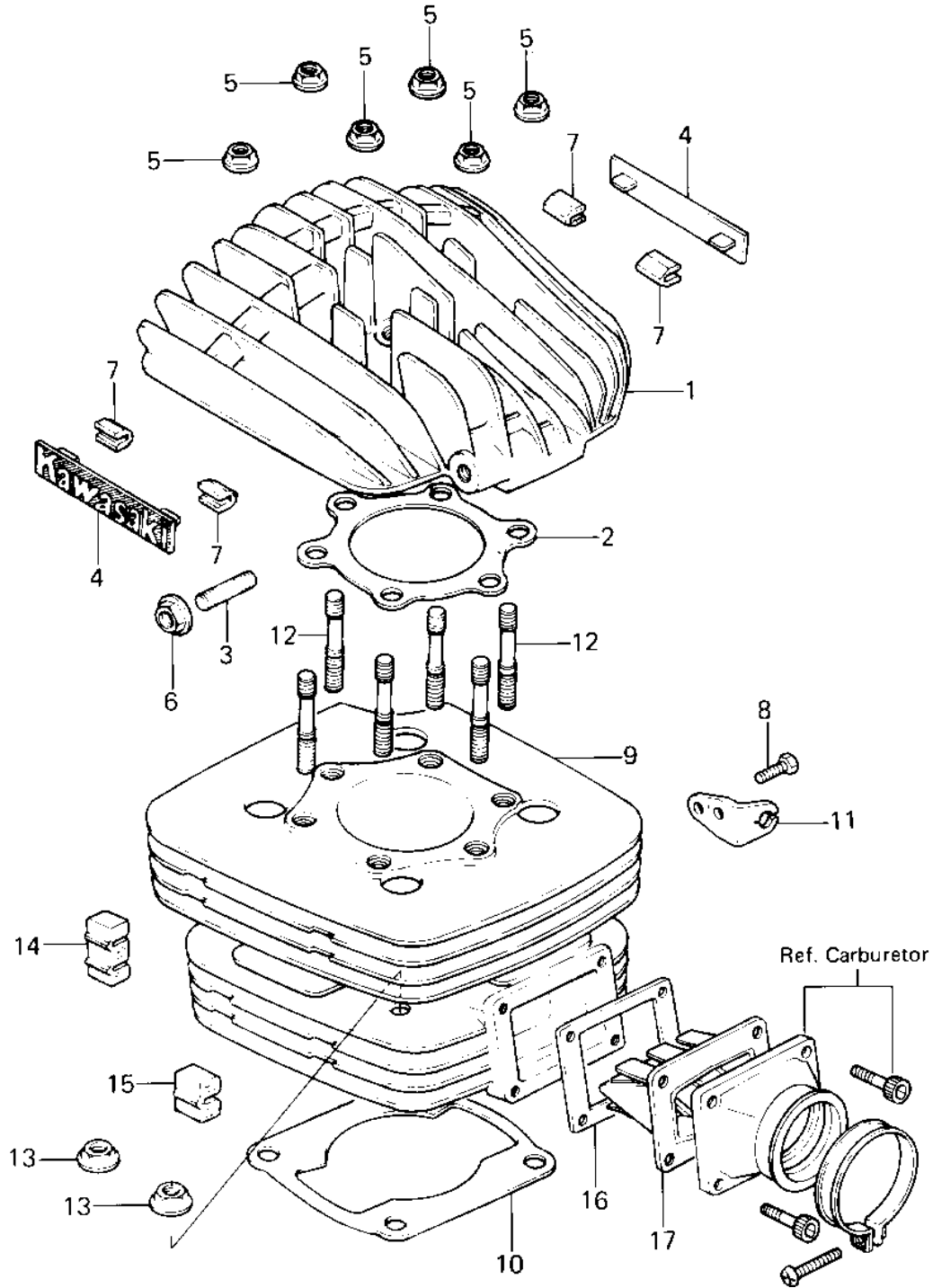


1980 KDX400 PARTS DIAGRAM

CYLINDER HEAD/CYLINDER/REED VALVE



1980 KDX400 PARTS LIST

CYLINDER HEAD/CYLINDER/REED VALVE

ITEM NAME	PART NUMBER	QUANTITY
HEAD,CYLINDER,F.BLACK (Ref # 1)	11001-1030	1
GASKET,HEAD,CYLINDER (Ref # 2)	11004-1015	1
STUD,10X18 (Ref # 3)	175G1018	1
MARK,CYLINDER HEAD (Ref # 4)	56018-1101	2
NUT,8M/M (Ref # 5)	92015-1014	6
NUT,10MM (Ref # 6)	92015-1415	1
DAMPER,CYLINDER HEAD (Ref # 7)	92075-1166	4
BOLT-UPSET (Ref # 8)	112G0618	1
CYLINDER,ELECTRO-FUSE (Ref # 9)	11005-1070	1
GASKET,CYLINDER BASE (Ref # 10)	11009-1130	1
HOLDER (Ref # 11)	13091-1119	1
STUD,CYLINDER (Ref # 12)	92004-1022	6
NUT,10MM (Ref # 13)	92015-1415	4
DAMPER,CYLINDER (Ref # 14)	92075-1160	6
DAMPER,CYLINDER (Ref # 15)	92075-1161	2
GASKET,REED VALVE (Ref # 16)	11009-1018	1
VALVE ASSY,REED (Ref # 17)	12021-1007	1