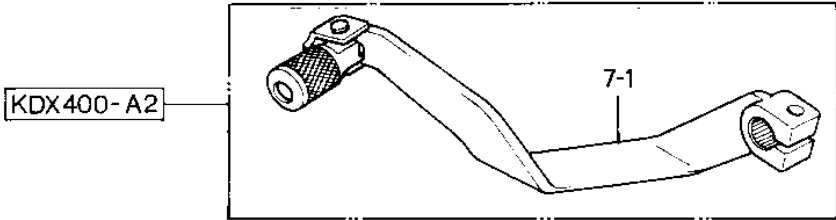
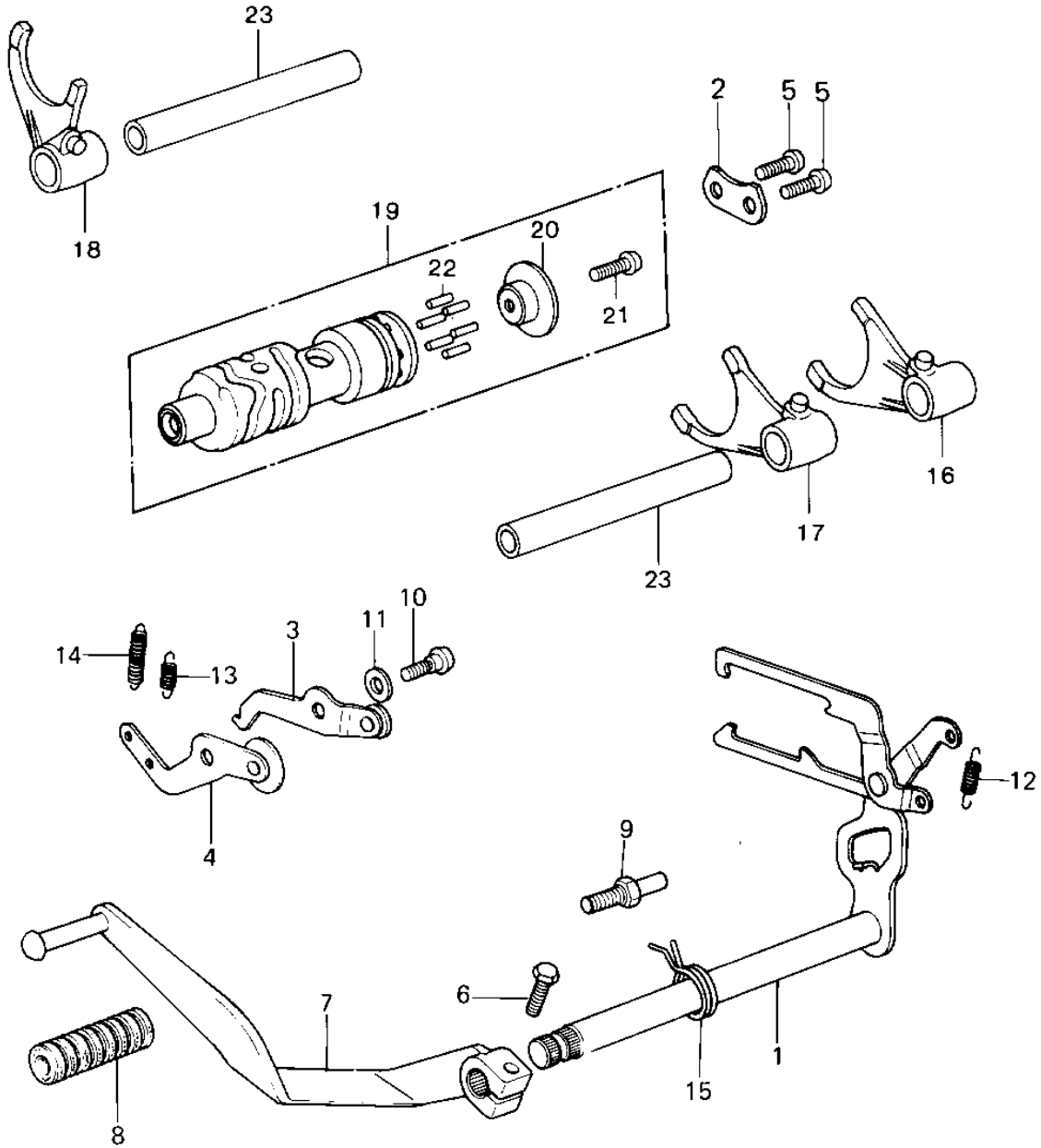


1980 KDX400 PARTS DIAGRAM

GEAR CHANGE MECHANISM



1980 KDX400 PARTS LIST

GEAR CHANGE MECHANISM

ITEM NAME	PART NUMBER	QUANTITY
LEVER ASSY,GEAR CHANG (Ref # 1)	13161-1012	1
PLATE,CHANGE DRUM (Ref # 2)	13169-012	1
LEVER ASSY,GEAR CHANG (Ref # 3)	13236-007	1
LEVER,GEAR SET (Ref # 4)	13236-1013	1
SCREW PAN HEAD 6X14 (Ref # 5)	220B0614	2
BOLT-UPSET,6X20 (Ref # 6)	112G0620	1
PEDAL ASSY,GEAR CHANG (Ref # 7-1)	13242-1025	1
BOLT,RETURN SPRING (Ref # 9)	92001-1401	1
SCREW-PAN HEAD (Ref # 10)	92011-023	1
WASHER,PLAIN (Ref # 11)	92022-1053	1
SPRING-CHANGE LEVER (Ref # 12)	92081-076	1
SPRING-COIL (Ref # 13)	92081-091	1
SPRING (Ref # 14)	92081-119	1
SPRING,CHG PEDL RTRN (Ref # 15)	92083-028	1
FORK,SHIFT,LOW (Ref # 16)	13140-1023	1
FORK,SHIFT,2ND&3RD (Ref # 17)	13140-1024	1
FORK,SHIFT,4TH&TOP (Ref # 18)	13140-1025	1
DRUM ASSY,CHANGE (Ref # 19)	13239-1023	1
HOLDER,CHANGE DRUM (Ref # 20)	13142-014	1
SCREW PAN HEAD 6X14 (Ref # 21)	220B0614	1
PIN,CHANGE DRUM (Ref # 22)	92043-1060	6
ROD,SHIFT 93.7M/M (Ref # 23)	49047-1003	2