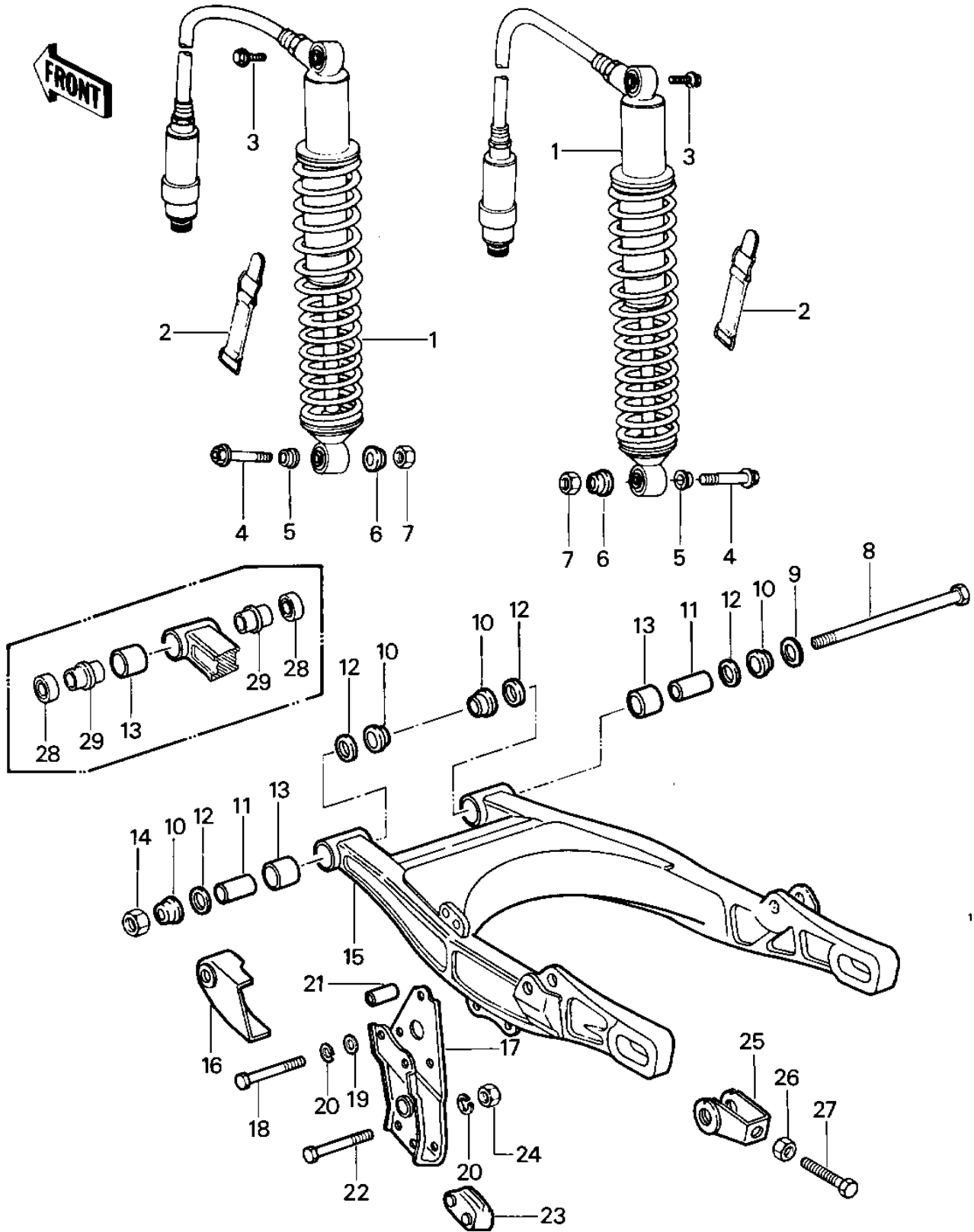


# 1979 KDX400 PARTS DIAGRAM

## SWING ARM/SHOCK ABSORBERS



# 1979 KDX400 PARTS LIST

## SWING ARM/SHOCK ABSORBERS

ITEM NAME	PART NUMBER	QUANTITY
SHOCK ABSBR RR (Ref # 1)	45014-4004	2
BAND,FUEL TANK (Ref # 2)	92072-076	2
BOLT,HEX HEAD,6X10 (Ref # 3)	92001-1034	2
BOLT,HEX HEAD,10X48 (Ref # 4)	92001-1029	2
COLLAR (Ref # 5)	92027-1029	2
COLLAR (Ref # 6)	92027-1030	2
NUT,LOCK,10MM (Ref # 7)	92019-021	2
SHAFT,SWING ARM (Ref # 8)	33032-4001	1
WASHER PLAIN 14MM (Ref # 9)	411B1400	1
BUSHING,SWING ARM (Ref # 13)	92028-4001	2
NUT-LOCK,14MM (Ref # 14)	92019-011	1
SWING ARM (Ref # 15)	33001-4001	1
GUIDE,CHAIN (Ref # 16)	12053-1047	1
CHAIN GUIDE (Ref # 17)	55020-4001	1
BOLT-UPSET (Ref # 18)	112G0660	3
WASHER PLAIN 6MM (Ref # 19)	411B0600	3
WASHER SPRING 6MM (Ref # 20)	461F0600	5
COLLAR (Ref # 21)	92027-4003	3
BOLT 6X35 (Ref # 22)	110R0635	2
GUIDE,CHAIN,REAR (Ref # 23)	12053-1011	1
NUT 6MM (Ref # 24)	311B0600	2
ADJUSTER,CHAIN (Ref # 25)	33040-4001	2
NUT 8MM (Ref # 26)	318G0800	2
BOLT,CHAIN ADJUSTER (Ref # 27)	92001-1027	2
OIL SEAL (Ref # 28)	92049-1011	4
SLEEVE,SWING ARM (Ref # 29)	42036-1026	4