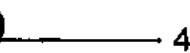
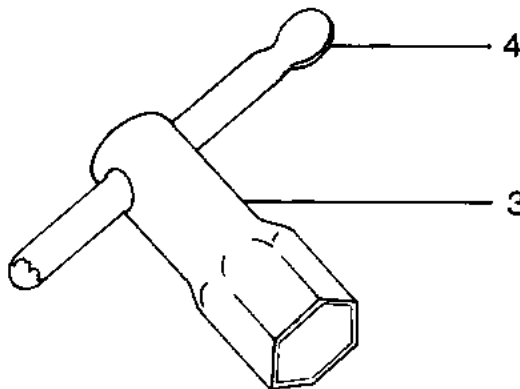
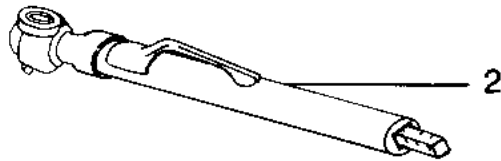
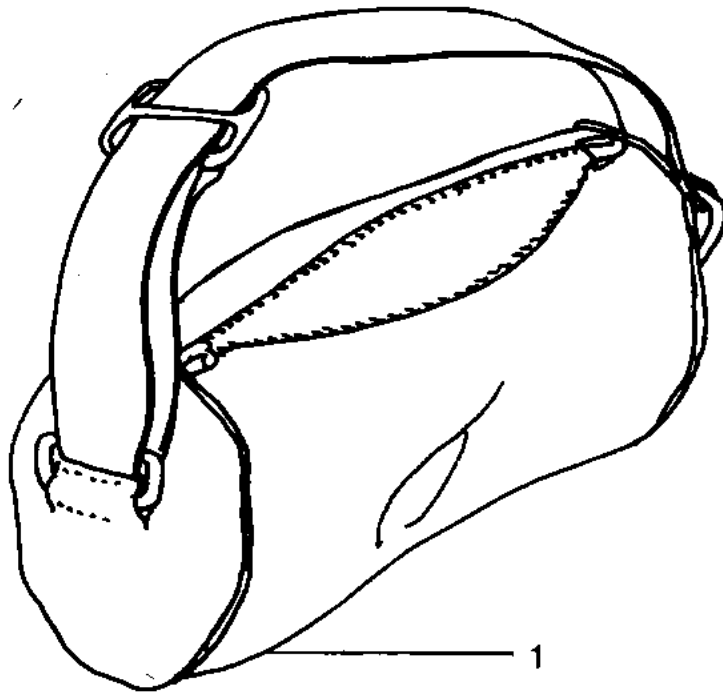


1980 KDX400 PARTS DIAGRAM

OWNER TOOLS



1980 KDX400 PARTS LIST

OWNER TOOLS

ITEM NAME	PART NUMBER	QUANTITY
BAG, TOOL KIT (Ref # 1)	56008-4001	1
GUAGE, TIRE PRESSURE (Ref # 2)	52005-4001	1
GAUGE,AIR (Ref # 2)	52005-4002	1
WRENCH,SPARK PLUG (Ref # 3)	92110-4001	1
BAR,SPARK PLUG WRENCH (Ref # 4)	16149-4001	1