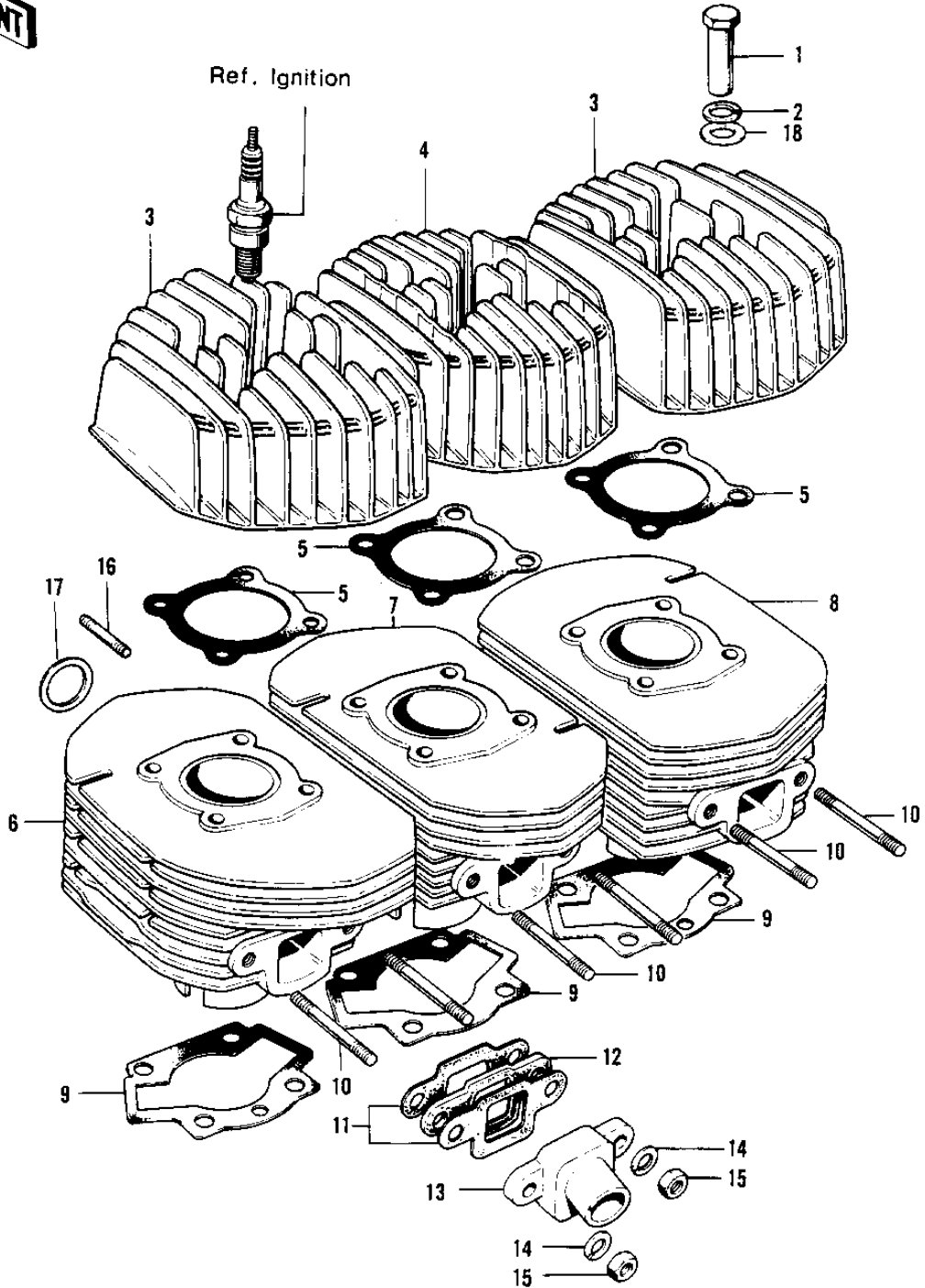


1974 Mach II PARTS DIAGRAM

CYLINDER HEADS/CYLINDERS ('74-'75 S3/S3-



1974 Mach II PARTS LIST

CYLINDER HEADS/CYLINDERS ('74-'75 S3/S3-

ITEM NAME	PART NUMBER	QUANTITY
NUT 8MM (Ref # 1)	92015-020	12
WASHER SPRING 12MM (Ref # 2)	461F1200	12
CYLINDER HEAD,L.H&R.H (Ref # 3)	11001-086-2H	2
CYLINDER HEAD,CENTER (Ref # 4)	11001-087-2H	1
GASKET,CYLINDER HEAD (Ref # 5)	11004-061	3
CYLINDER,L.H,BARREL (Ref # 6)	11005-125-2H	1
CYLINDER,CNTR,BARREL (Ref # 7)	11005-126-2H	1
CYLINDER,R.H,BARREL (Ref # 8)	11005-127-2H	1
GASKET,CYLINDER BASE (Ref # 9)	11009-036	3
STUD 8X20 (Ref # 10)	172G0820	6
GASKET-AIR INLET (Ref # 11)	16062-014	6
INSULATOR-HEAT (Ref # 12)	16061-012	3
INLET-AIR (Ref # 13)	16060-012	3
WASHER SPRING 8MM (Ref # 14)	461F0800	6
NUT,8MM (Ref # 15)	311B0800	6
STUD,8X35 (Ref # 16)	92004-1009	6
STUD,8X35 (Ref # 16)	92004-1009	6
GASKET EXHAUST PIPE (Ref # 17)	18067-008	3
WASHER PLAIN 12MM (Ref # 18)	92022-072	12