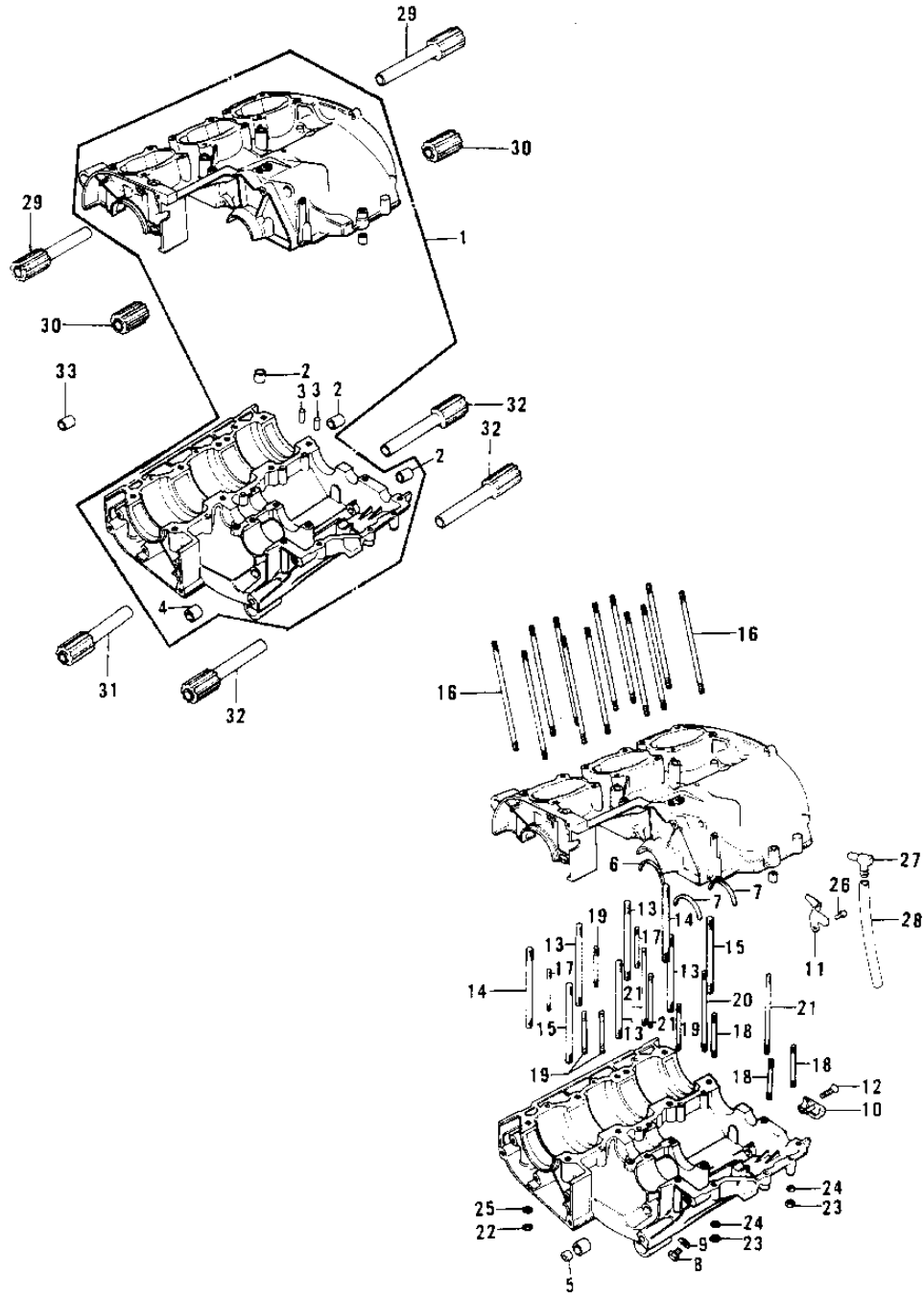


1974 Mach II PARTS DIAGRAM

CRANKCASE ('74-'75 S3/S3-A)



1974 Mach II PARTS LIST

CRANKCASE ('74-'75 S3/S3-A)

ITEM NAME	PART NUMBER	QUANTITY
CRANKCASE SET (Ref # 1)	14001-059	1
PIN,DOWEL,10X8.2X14 (Ref # 2)	92043-1037	4
PIN DOWEL 6MM (Ref # 3)	92042-016	3
BUSH CHANGE PEDAL SHT (Ref # 4)	92028-071	1
OIL SEAL SB12205 (Ref # 5)	92049-004	1
RING-BEARING SET (Ref # 6)	14013-013	1
RING BEARING SETTING (Ref # 7)	14013-004	2
PLUG OIL DRAIN (Ref # 8)	92067-001	1
GASKET CHECK VALVE (Ref # 9)	92065-058	1
RECEIVER OIL (Ref # 10)	14015-001	1
RECEIVER-OIL (Ref # 11)	14015-003	1
SCREW CNTSNK HD 6X16 (Ref # 12)	221B0616	1
STUD,10X55 (Ref # 13)	172G1055	4
STUD,10X70 (Ref # 14)	172G1070	2
STUD,10X80 (Ref # 15)	172G1080	2
STUD 8X65 (Ref # 16)	172G0865	12
STUD 6X22 (Ref # 17)	172G0622	2
STUD 6X35 (Ref # 18)	172G0635	3
STUD,6X45 (Ref # 19)	172G0645	4
STUD 6X50 (Ref # 20)	172G0650	1
STUD,6X65 (Ref # 21)	172G0665	3
NUT,10MM (Ref # 22)	317B1000	8
NUT 6MM (Ref # 23)	311B0600	13
WASHER SPRING 6MM (Ref # 24)	461F0600	13
WASHER SPRING 10MM (Ref # 25)	461F1000	8
SCREW PAN HEAD 6X10 (Ref # 26)	220B0610	1
BREATHER (Ref # 27)	14069-003	1
PIPE-BREATHER (Ref # 28)	92059-061	1
DAMPER RUBBER (Ref # 29)	14017-002	2

1974 Mach II PARTS LIST

CRANKCASE ('74-'75 S3/S3-A)

ITEM NAME	PART NUMBER	QUANTITY
DAMPER RUBBER (Ref # 30)	14017-004	2
DAMPER RUBBER (Ref # 31)	14017-009	1
DAMPER RUBBER (Ref # 32)	14017-003	1
PIN-DOWEL (Ref # 33)	92042-007	1