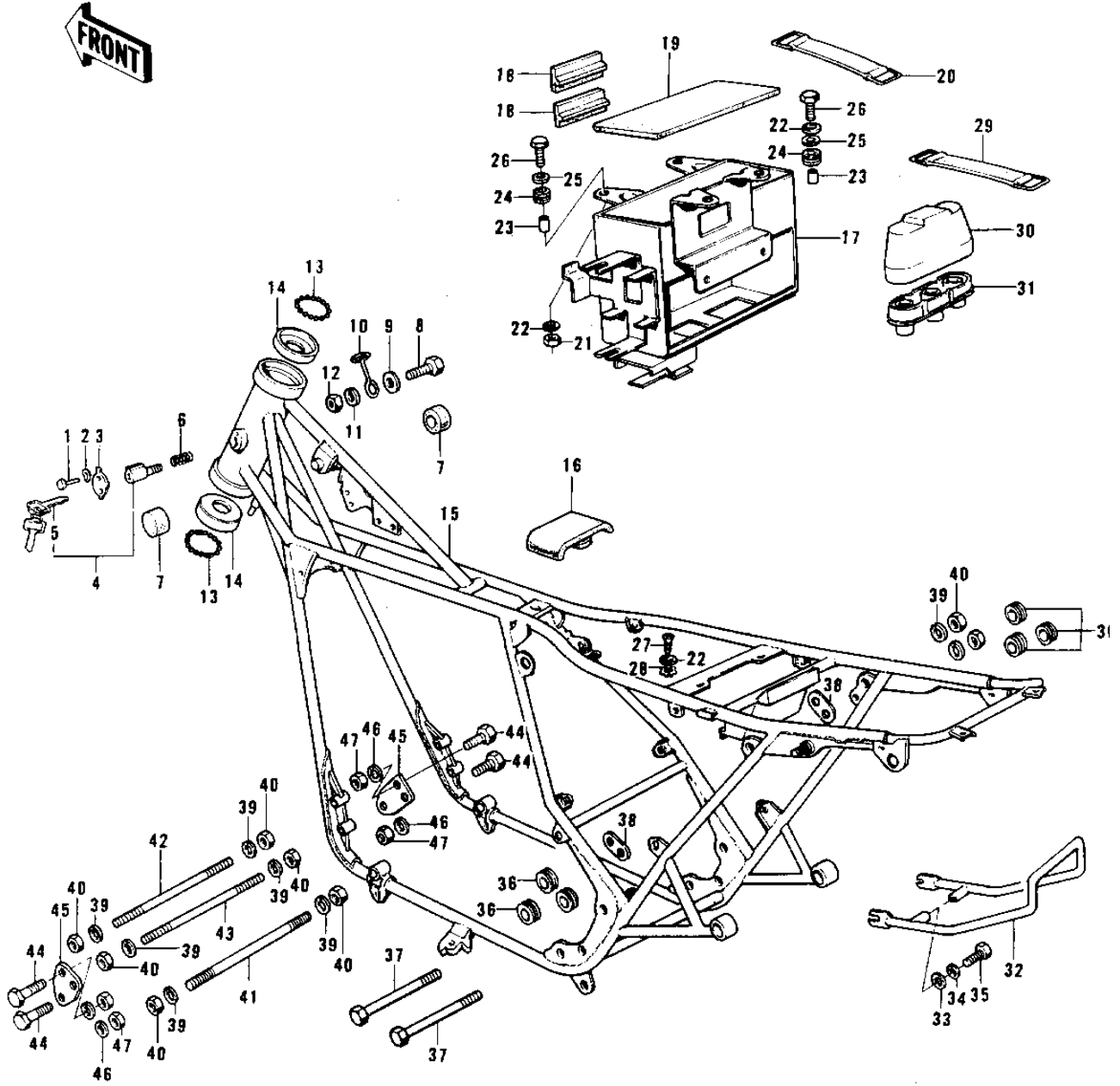


1975 Mach II PARTS DIAGRAM

FRAME/FRAME FITTINGS ('74-'75 S3/S3-A)



1975 Mach II PARTS LIST

FRAME/FRAME FITTINGS ('74-'75 S3/S3-A)

ITEM NAME	PART NUMBER	QUANTITY
SCREW-TAPPING (Ref # 1)	92008-007	
WASHER (Ref # 2)	92097-003	
CAP,STEERING LOCK (Ref # 3)	11012-1134	
LOCK ASSY,STEERING (Ref # 4)	27016-038	
KEY SET,#901 (Ref # 5)	27008-055-01	
KEY SET,#910 (Ref # 5)	27008-055-10	
SPRING-STEERING LOCK (Ref # 6)	27032-001	
DAMPER RUBBER-FL TANK (Ref # 7)	92075-101	
BOLT HEX HEAD 8X16 (Ref # 8)	110N0816	
WASHER PLAIN 8MM (Ref # 9)	410D0800	
CLAMP,CABLE (Ref # 10)	92037-139	
WASHER SPRING 8MM (Ref # 11)	461F0800	
NUT,8MM (Ref # 12)	311B0800	
BALL STEEL 1/4' (Ref # 13)	600A0800	
RACE STRNG STEM BERNG (Ref # 14)	92048-006	
FRAME (Ref # 15)	32002-129	
FRAME (Ref # 15)	32002-129	
DAMPER RUBBER,FL TANK (Ref # 16)	92075-214	
CASE,BATTERY (Ref # 17)	32097-031	
SEAT RECTIFIER RUBBER (Ref # 18)	32103-003	
MAT BATTERY (Ref # 19)	32103-006	
BAND,OIL TANK (Ref # 20)	92072-045	
NUT 6MM (Ref # 21)	311B0600	
WASHER SPRING 6MM (Ref # 22)	461F0600	
COLLAR,6.8X10X8.5 (Ref # 23)	92027-129	
DAMPER RUBBER (Ref # 24)	92075-076	
WASHER 6.5X20X1.6T (Ref # 25)	92022-125	
BOLT 6X22 (Ref # 26)	112B0622	
SCREW PAN HEAD 6X14 (Ref # 27)	220B0614	

1975 Mach II PARTS LIST

FRAME/FRAME FITTINGS ('74-'75 S3/S3-A)

ITEM NAME	PART NUMBER	QUANTITY
WASHER LOCK 6MM (Ref # 28)	464H0600	
BAND-SPARK PLUG COVER (Ref # 29)	92072-053	
COVER-SPARK PLUG (Ref # 30)	32132-003	
HOLDER-SPARK PLUG COV (Ref # 31)	32132-002	
STAY,REAR FENDER (Ref # 32)	35032-028	
WASHER PLAIN 8MM (Ref # 33)	411B0800	
WASHER SPRING 8MM (Ref # 34)	461F0800	
BOLT,8X20 (Ref # 35)	115G0820	
GROMMET (Ref # 36)	92071-056	
BOLT, FLANGED, 10X110 (Ref # 37)	92001-1602	
PLATE-ENGINE MOUNT (Ref # 38)	32030-023	
WASHER SPRING 10MM (Ref # 39)	461F1000	
NUT,10MM (Ref # 40)	314B1000	
BOLT,10X237 (Ref # 41)	92003-182	
BOLT,10X225 (Ref # 42)	92003-181	
BOLT,10X252 (Ref # 43)	92003-209	
BOLT,10X45 (Ref # 44)	92001-1182	
BOLT,FLANGED,8X60 (Ref # 44)	92001-1581	
PLATE,ENGINE MOUNT,FR (Ref # 45)	32030-030	
WASHER SPRING 8MM (Ref # 46)	461F0800	
NUT,8MM (Ref # 47)	311B0800	