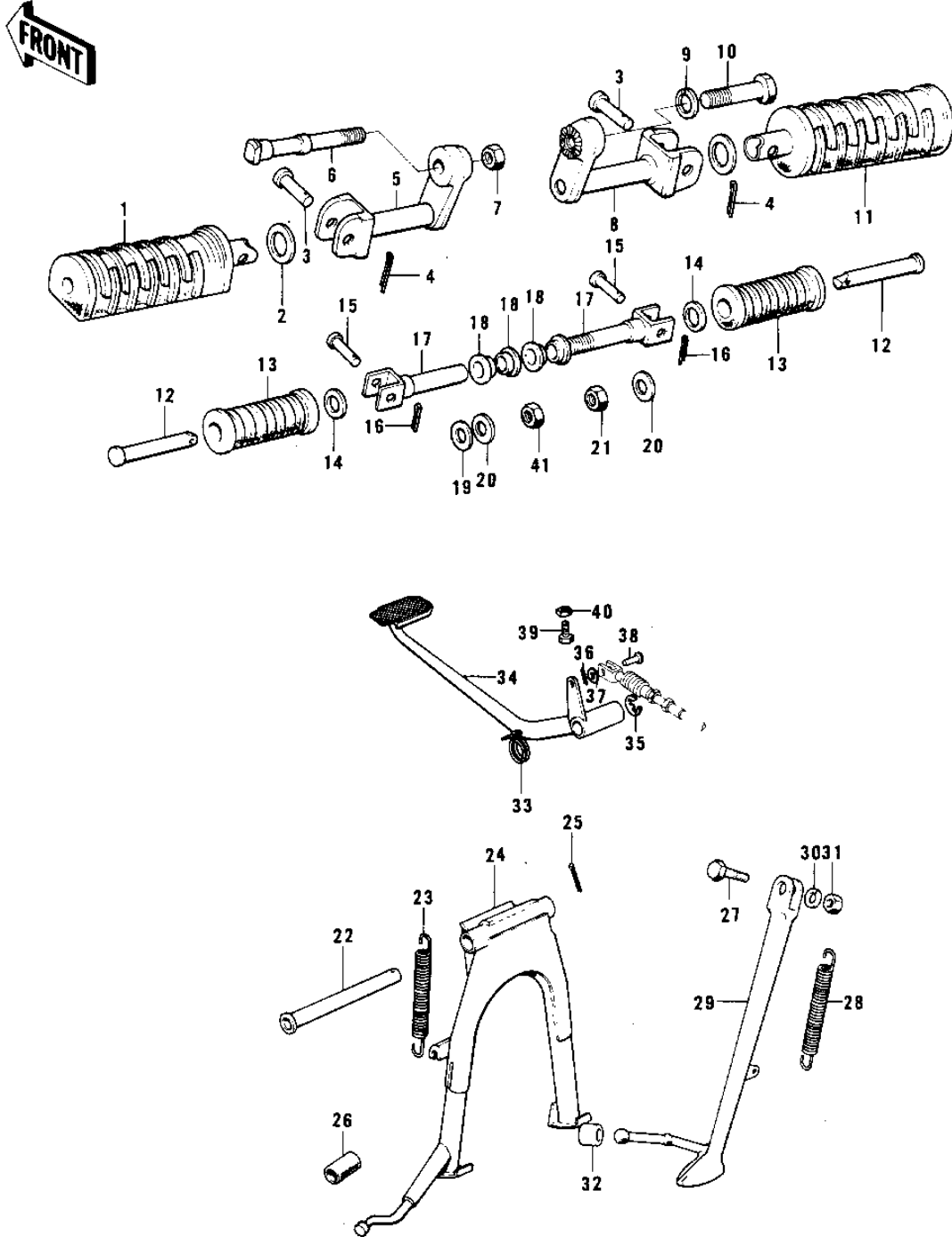


1975 Mach II PARTS DIAGRAM

FOOTRESTS/STANDS/BRAKE PEDAL ('74-'75 S3)



1975 Mach II PARTS LIST

FOOTRESTS/STANDS/BRAKE PEDAL ('74-'75 S3)

ITEM NAME	PART NUMBER	QUANTITY
BAR-FOOTREST,L.H (Ref # 1)	34028-011	
WASHER PL 22.5X36X2.3 (Ref # 2)	92022-204	
PIN-FOOTREST BAR FIT (Ref # 3)	92043-080	
PIN,COTTER,2.5X15 (Ref # 4)	550D2515	
HOLDER-FOTREST BAR LH (Ref # 5)	34003-040	
BOLT-L.H FOOTREST FIT (Ref # 6)	92003-076	
NUT-HEX-FINE,12MM (Ref # 7)	315B1200	
HOLDER-FOTREST BAR RH (Ref # 8)	34003-041	
WASHER SPRING 12MM (Ref # 9)	461F1200	
BOLT,R.H.FOOTREST FIT (Ref # 10)	92001-1068	
BAR-FOOTREST,R.H (Ref # 11)	34028-012	
BAR-RR FOOTREST (OPT) (Ref # 12)	34028-009	
RUBBER,REAR FOOTREST (Ref # 13)	92076-024	
WASHER-PLAIN (OPT) (Ref # 14)	92022-199	
PIN (Ref # 15)	92043-1464	
PIN,COTTER,2.0X12 (Ref # 16)	550D2012	
BRACKET,REAR FOOTREST (Ref # 17)	34029-011	
BUSHING,MUFFLER FITT (Ref # 18)	92092-010	
WASHER-HANDLEBAR FIT (Ref # 19)	92022-196	
WASHER PLAIN 10MM (Ref # 20)	411B1000	
NUT,LOCK,10MM (Ref # 21)	92019-021	
SHAFT MAIN STAND (Ref # 22)	34019-011	
SPRING-MAIN STAND (Ref # 23)	34023-010	
STAND-MAIN (Ref # 24)	34011-035	
PIN COTTER 3.0X25 (Ref # 25)	550D3025	
DAMPER RUBB-MAIN STND (Ref # 26)	92075-115	
BOLT,HEX HEAD 10X35 (Ref # 27)	92001-1252	
BOLT-SIDE STAND (Ref # 27)	92003-079	
SPRING MAIN STAND (Ref # 28)	34023-005	

1975 Mach II PARTS LIST

FOOTRESTS/STANDS/BRAKE PEDAL ('74-'75 S3)

ITEM NAME	PART NUMBER	QUANTITY
STAND-SIDE (Ref # 29)	34024-051	
STAND-SIDE (Ref # 29)	34024-051	
WASHER SPRING 10MM (Ref # 30)	461F1000	
NUT,10MM (Ref # 31)	314B1000	
DAMPER RUBB SIDE STND (Ref # 32)	92075-031	
SPRING,BRAKE PEDAL (Ref # 33)	43005-033	
PEDAL,BRAKE (Ref # 34)	43001-060	
CIRCLIP 12MM (Ref # 35)	482K0200	
PIN COTTER 2.0X15 (Ref # 36)	550D2015	
WASHER PLAIN 6MM (Ref # 37)	410B0600	
PIN R BRK CABLE JOINT (Ref # 38)	92043-034	
BOLT 6X22 (Ref # 39)	112B0622	
NUT 6MM (Ref # 40)	311B0600	
NUT,LOCK,10MM (Ref # 41)	92019-021	
NUT,10MM (Ref # 41)	92015-1429	