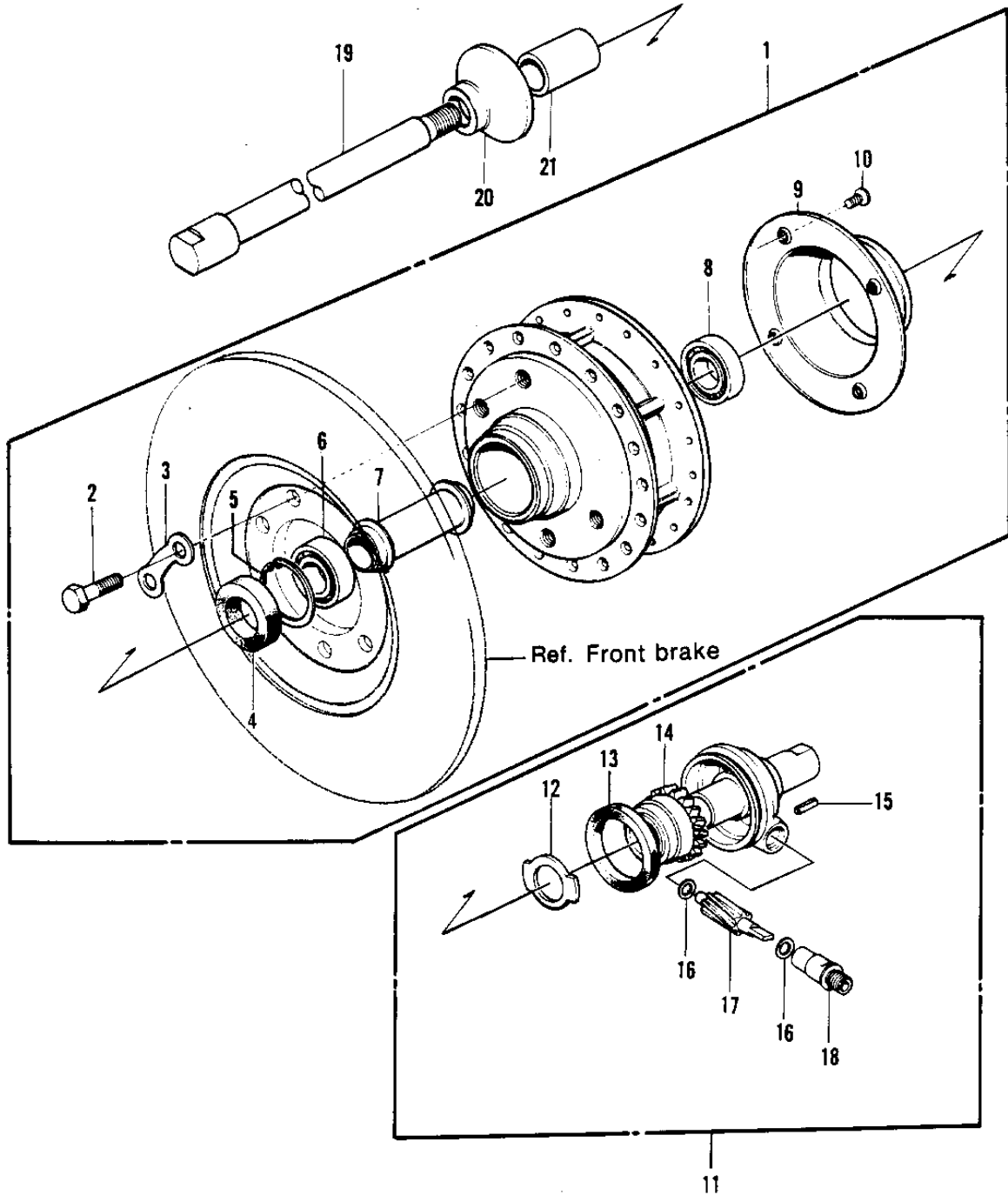


1975 Mach II PARTS DIAGRAM

FRONT HUB (74-75 S3/S3-A)



1975 Mach II PARTS LIST

FRONT HUB (74-75 S3/S3-A)

ITEM NAME	PART NUMBER	QUANTITY
DRUM-ASSY,FR BRK (Ref # 1)	41034-024	
BOLT-HEX HEAD,8X28 (Ref # 2)	92001-104	
WASHER-LOCK (Ref # 3)	92088-016	
OIL SEAL WTC25428 (Ref # 4)	92052-005	
CIRCLIP,42MM (Ref # 5)	92033-1041	
CIRCLIP,42MM (Ref # 5)	92033-1041	
BEARING BALL #6302 (Ref # 6)	601B6302	
SPACER-FR AXLE BRG (Ref # 7)	41039-021	
BEARING BALL #6302Z (Ref # 8)	601B6302Z	
DUST COVER (Ref # 9)	41042-011	
SCREW OVL CNTSNK 4X8 (Ref # 10)	222E0408A	
GEAR BOX ASSY (Ref # 11)	41078-004	
RECEIVER,SPEED GEAR (Ref # 12)	41064-1005	
RECEIVER,SPEED GEAR (Ref # 12)	41064-1005	
OIL SEAL (Ref # 13)	92050-049	
GEAR,SPEEDOMETER (Ref # 14)	41059-020	
PIN,SPRING (Ref # 15)	41082-001	
WASHER THRST SPD PINI (Ref # 16)	41063-001	
PINION-SPEEDOMETER (Ref # 17)	41060-013	
BUSH,SPEEDMETER CABLE (Ref # 18)	41062-005	
AXLE-FRONT (Ref # 19)	41068-038	
DUST COVER-FRONT AXLE (Ref # 20)	41042-012	
COLLAR-FRONT AXLE (Ref # 21)	41069-020	